

High Sensitivity Models

Rated voltage	3 VDC	5 VDC	6 VDC	9 VDC	12 VDC	24 VDC	48 VDC
Rated current	50 mA	30 mA	25 mA	16.7 mA	12.5 mA	8.33 mA	6.25 mA
Coil resistance	60 Ω	166.7 Ω	240 Ω	540 Ω	960 Ω	2,880 Ω	7,680 Ω
Coil inductance (H) (ref. value)	Armature ON	0.18	0.46	0.70	1.67	2.90	6.72
	Armature OFF	0.57	0.71	0.97	2.33	3.99	9.27
Must operate voltage	75% max. of rated voltage						
Must release voltage	5% min. of rated voltage						
Max. voltage	180% of rated voltage at 23°C						150% of rated voltage at 23°C
Power consumption	Approx. 150 mW					Approx. 200 mW	Approx. 300 mW

- Note:**
1. The rated current and coil resistance are measured at a coil temperature of 23°C with a tolerance of ±10%.
 2. Operating characteristics are measured at a coil temperature of 23°C.
 3. The maximum voltage is the highest voltage that can be imposed on the relay coil.

■ Contact Ratings

Item	Standard models	High sensitivity models
Load	Resistive load ($\cos\phi = 1$)	
Rated load	0.5 A at 125 VAC; 2 A at 30 VDC	0.5 A at 125 VAC; 1 A at 24 VDC
Contact material	Ag + Au-clad	
Rated carry current	2 A	
Max. switching voltage	125 VAC, 125 VDC	
Max. switching current	2 A	1 A
Max. switching power	62.5 VA, 60 W	62.5 VA, 24 W
Failure rate (reference value) (See note.)	0.01 mA at 10 mVDC	

Note: P level: $\lambda_{60} = 0.1 \times 10^{-6}/\text{operation}$

This value was measured at a switching frequency of 120 operations/min and the criterion of contact resistance is 50 Ω. This value may vary depending on the switching frequency and operating environment. Always double-check relay suitability under actual operating conditions.

■ Characteristics

Item	Standard models	High sensitivity models
Contact resistance (See note 1.)	50 mΩ max.	100 mΩ max.
Operate time	7 ms max.	
Release time	3 ms max.	
Max. operating frequency	Mechanical: 36,000 operations/hr Electrical: 1,800 operations/hr (under rated load)	
Insulation resistance (See note 2.)	1,000 MΩ min. (at 500 VDC)	
Dielectric strength	1,000 VAC, 50/60 Hz for 1 min between coil and contacts 1,000 VAC, 50/60 Hz for 1 min between contacts of different polarity 750 VAC, 50/60 Hz for 1 min between contacts of same polarity	1,000 VAC, 50/60 Hz for 1 min between coil and contacts 1,000 VAC, 50/60 Hz for 1 min between contacts of different polarity 500 VAC, 50/60 Hz for 1 min between contacts of same polarity
Impulse withstand voltage	1,500 V (10 x 160 μs) between coil and contacts (conforms to FCC Part 68)	
Vibration resistance	Destruction: 10 to 55 to 10 Hz, 0.75-mm single amplitude (1.5-mm double amplitude) Malfunction: 10 to 55 to 10 Hz, 0.75-mm single amplitude (1.5-mm double amplitude)	
Shock resistance	Destruction: 1,000 m/s ² (approx. 100G) Malfunction: 200 m/s ² (approx. 20G)	Destruction: 1,000 m/s ² (approx. 100G) Malfunction: 100 m/s ² (approx. 10G)
Endurance	Mechanical: 15,000,000 operations min. (at 36,000 operations/hr) Electrical: 100,000 operations min. (at 1,800 operations/hr)	
Ambient temperature	Operating: -25°C to 65°C (with no icing)	Operating: -25°C to 70°C (with no icing)
Ambient humidity	Operating: 5% to 85%	
Weight	Approx. 5 g	

Note: The above values are initial values.

Note: 1. The contact resistance was measured with 10 mA at 1 VDC with a voltage drop method.

2. The insulation resistance was measured with a 500-VDC megohmmeter applied to the same parts as those used for checking the dielectric strength.

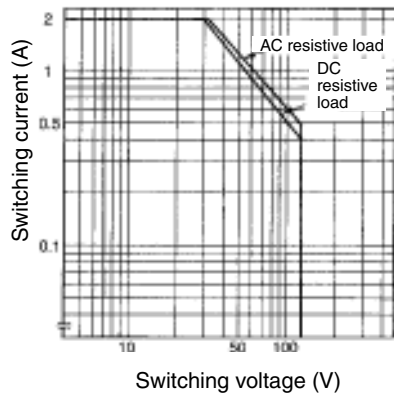
■ Approved Standards

UL478, UL1950, UL508 (File No. E41515)/CSA C22.2 No.0, No.14 (File No. LR31928)

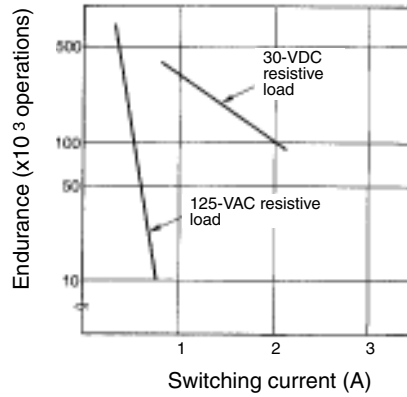
Contact form	Coil ratings	Contact ratings	
		G5V-2	G5V-2-H1
DPDT	3 to 48 VDC	0.6 A, 125 VAC (general use) 0.6 A, 110 VDC (resistive load) 2 A, 30 VDC (resistive load)	0.5 A, 125 VAC (general use) 0.2 A, 110 VDC (resistive load) 1 A, 24 VDC (resistive load)

Engineering Data

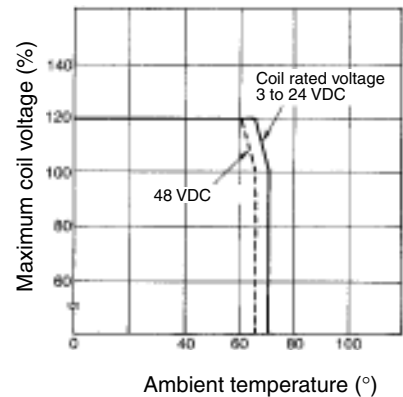
Maximum Switching Power
G5V-2



Endurance
G5V-2

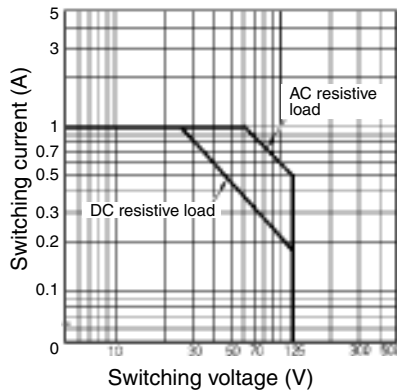


Ambient Temperature vs. Maximum Coil Voltage
G5V-2

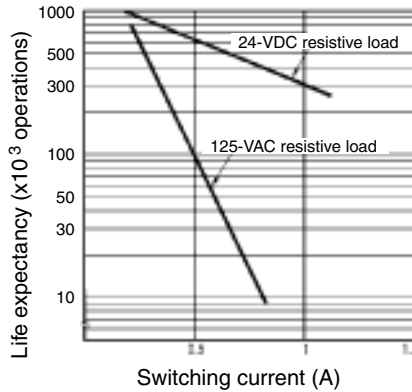


Note: The maximum coil voltage refers to the maximum value in a varying range of operating power voltage, not a continuous voltage.

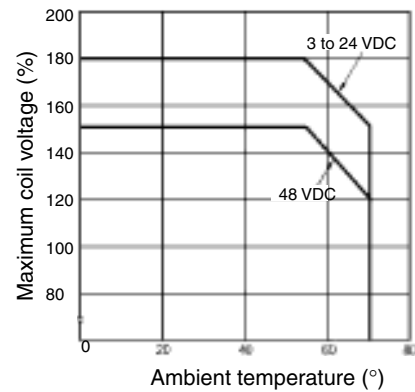
G5V-2-H1



G5V-2-H1



G5V-2-H1

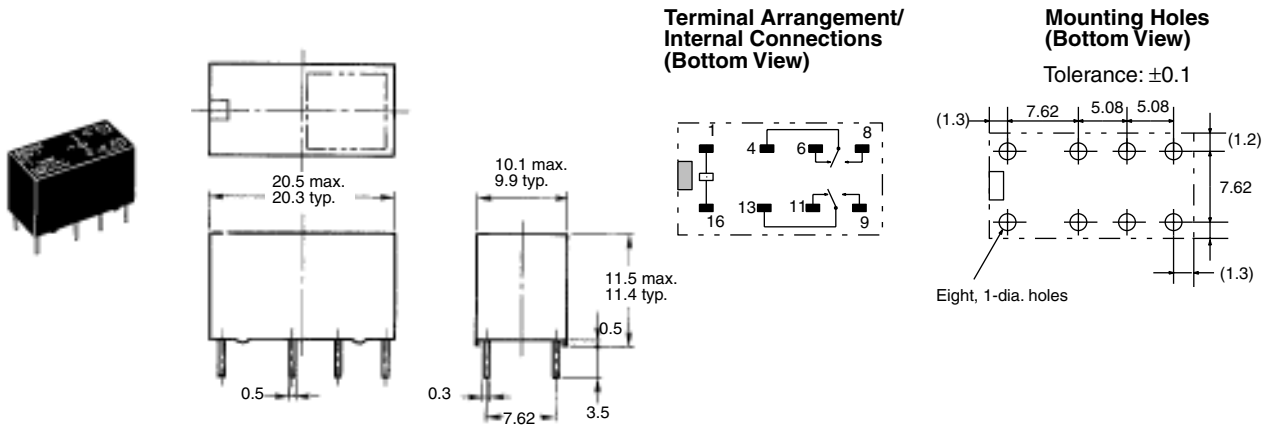


Note: The maximum coil voltage refers to the maximum value in a varying range of operating power voltage, not a continuous voltage.

Dimensions

Note: 1. All units are in millimeters unless otherwise indicated.

2. Orientation marks are indicated as follows:  



Precautions

Long-term Continuously ON Contacts

Using the Relay in a circuit where the Relay will be ON continuously for long periods (without switching) can lead to unstable contacts because the heat generated by the coil itself will affect the insulation, causing a film to develop on the contact surfaces. Be sure to use a fail-safe circuit design that provides protection against contact failure or coil burnout.

Relay Handling

When washing the product after soldering the Relay to a PCB, use a water-based solvent or alcohol-based solvent, and keep the solvent temperature to less than 40°C. Do not put the Relay in a cold cleaning bath immediately after soldering.

ALL DIMENSIONS SHOWN ARE IN MILLIMETERS.

To convert millimeters into inches, multiply by 0.03937. To convert grams into ounces, multiply by 0.03527.