



DC COMPONENTS CO., LTD.

DISCRETE SEMICONDUCTORS

BF422

TECHNICAL SPECIFICATIONS OF NPN EPITAXIAL PLANAR TRANSISTOR

Description

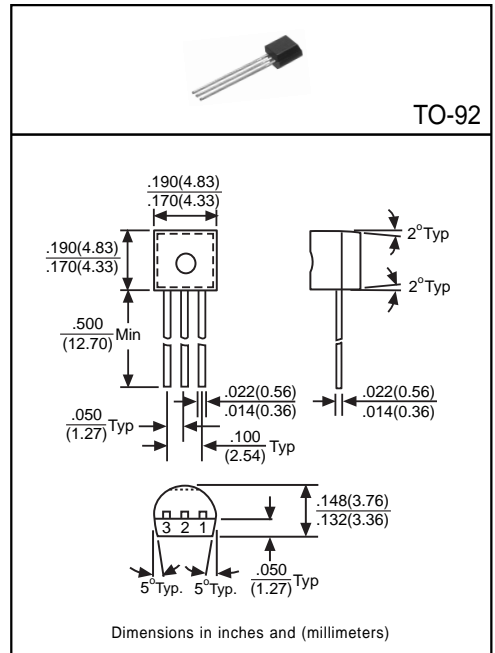
Designed for video B-class power stages in TV receivers.

Pinning

- 1 = Emitter
- 2 = Collector
- 3 = Base

Absolute Maximum Ratings (T<sub>A</sub>=25°C)

Characteristic	Symbol	Rating	Unit
Collector-Base Voltage	V <sub>CB0</sub>	250	V
Collector-Emitter Voltage	V <sub>CE0</sub>	250	V
Emitter-Base Voltage	V <sub>EB0</sub>	5	V
Collector Current	I <sub>C</sub>	50	mA
Total Power Dissipation	P <sub>D</sub>	830	mW
Junction Temperature	T <sub>J</sub>	+150	°C
Storage Temperature	T <sub>STG</sub>	-55 to +150	°C



Electrical Characteristics

(Ratings at 25°C ambient temperature unless otherwise specified)

Characteristic	Symbol	Min	Typ	Max	Unit	Test Conditions
Collector-Base Breakdown Voltage	BV <sub>CB0</sub>	250	-	-	V	I <sub>C</sub> =100μA
Collector-Emitter Breakdown Voltage	BV <sub>CE0</sub>	250	-	-	V	I <sub>C</sub> =1mA
Emitter-Base Breakdown Voltage	BV <sub>EB0</sub>	5	-	-	V	I <sub>E</sub> =10μA
Collector Cutoff Current	I <sub>CB0</sub>	-	-	0.1	μA	V <sub>CB</sub> =200V
Emitter Cutoff Current	I <sub>EB0</sub>	-	-	10	μA	V <sub>EB</sub> =5V
Collector-Emitter Saturation Voltage <sup>(1)</sup>	V <sub>CE(sat)</sub>	-	-	0.6	V	I <sub>C</sub> =30mA, I <sub>B</sub> =3mA
DC Current Gain <sup>(1)</sup>	h <sub>FE</sub>	50	-	-	-	I <sub>C</sub> =25mA, V <sub>CE</sub> =20V
Transition Frequency	f <sub>T</sub>	60	-	-	MHz	I <sub>E</sub> =10mA, V <sub>CE</sub> =10V, f=100MHz

(1) Pulse Test: Pulse Width ≤ 380μs, Duty Cycle ≤ 2%