

---

---

## 4-Channel Audio Processor IC

---

---

**PT2313L**

### Description

PT2313L is a four-channel digital control audio processor utilizing CMOS Technology. Volume, Bass, Treble and Balance, Front/Rear Fader Processor are incorporated into a single chip. Loudness Function and Selectable Input Gain are also provided to build a highly effective electronic audio processor having the highest performance and reliability with the least external components. All functions are programmable using the I<sup>2</sup>C Bus. The pin assignments and application circuit are optimized for easy PCB layout and cost saving advantage for audio application. Housed in a 28-pin DIP/SO Package, PT2313L is pin-to-pin compatible with TDA7313 and is very similar in performance with the later.

### Features

- CMOS Technology
- Least External Components
- Treble and Bass Control
- Loudness Function
- 3 Stereo Inputs with Selectable Input Gain
- Input/Output for External Noise Reduction System/Equalizer
- 4 Independent Speaker Controls for Fader and Balance
- Independent Mute Function
- Volume Control in 1.25 dB/step
- Low Distortion
- Low Noise and DC Stepping
- Controlled by I<sup>2</sup>C Bus Micro-Processor Interface
- Pin-to-pin Compatible with TDA7313

### Applications

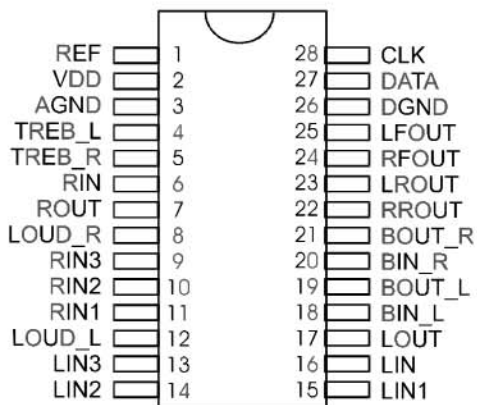
- Car Stereo (Audio)
- Hi-Fi Audio System

Note: Purchase of I<sup>2</sup>C Component of Princeton Technology Corporation (PTC) conveys a license under Philips I<sup>2</sup>C Patent Right to use these components in any I<sup>2</sup>C System, provided that the system conforms to the I<sup>2</sup>C Standard Specification defined by Philips

# 4-Channel Audio Processor IC

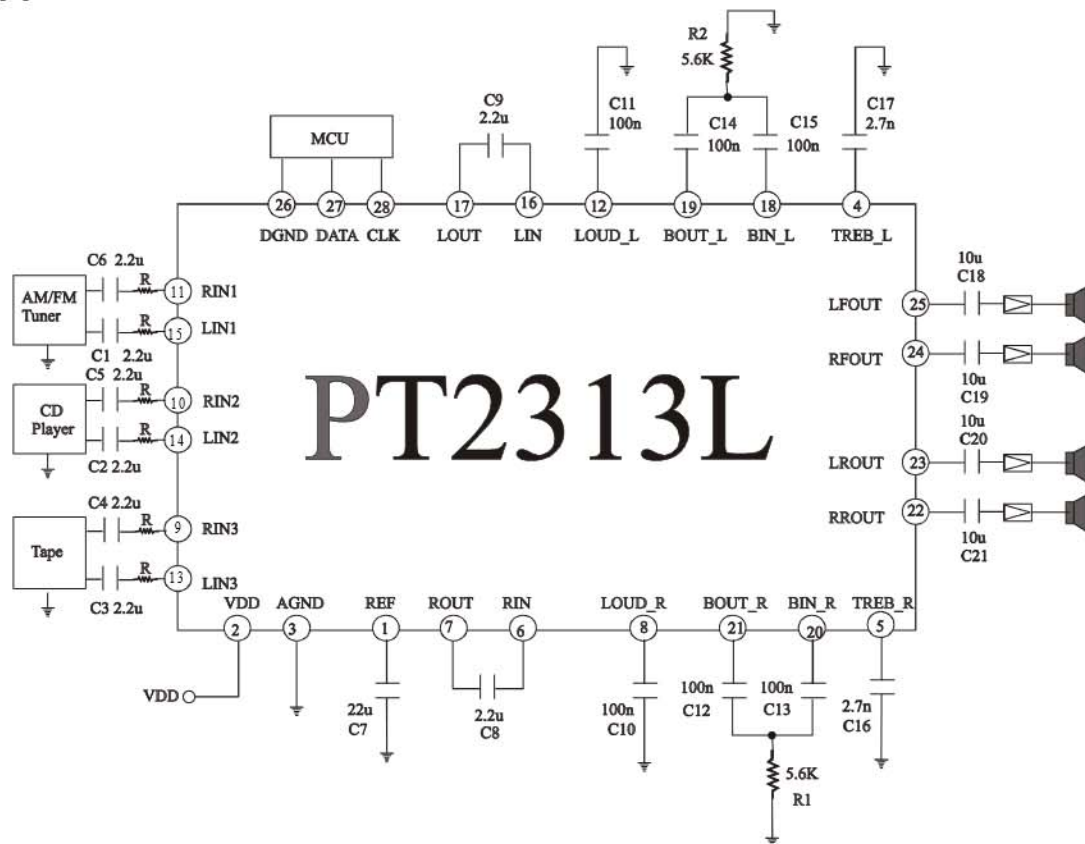
# PT2313L

## Pin Configuration



PT2313L

## Application Circuit



Note: 1. The Resistor ( R ) Range = 2.0K Ohms to 3.6 K Ohms.  
 2. Resistor ( R ) Recommended Value = 2.4 K Ohms

---

---

**4-Channel Audio Processor IC**

**PT2313L**

---

---

**Order Information**

Valid Part Number	Package Type
PT2313L-D	28 Pins, DIP (300 mil)
PT2313L	28 Pins, SO (300 mil)