

REV.	DESCRIPTION	DRAWN	CHECKED	APPROVED
A	NEW RELEASE	LJH 09/24/05'	~	LJC 09/24/05'
B	ADD 50pin drawing	LJC 02/10/07'	~	LJC 06/16/07'
C	ADD BR TYPE	YCH 07/10/07'	~	

NOTES:

- ELECTRICAL CHARACTERISTICS:
 - CONTACT RESISTANCE: 20mΩ Max. INITIAL.
 - DIELECTRIC WITHSTANDING VOLTAGE: 500V AC(rms) FOR 1 MINUTE.
 - INSULATION RESISTANCE: 1000MΩ Min.
- ENVIRONMENT CHARACTERISTICS:

TEMPERATURE RANGE: -45°C~+105°C.
- PART NUMBER: DS1033
- PRODUCT NUMBER CODE: DS1033- X X X X X X

- SCREW DIM. A
- S: Standard(W/O nut)
 - 1: 5.00
 - 2: 3.00
 - 3: 5.20
 - 4: 4.80
 - 5: 5.80
 - 6: 4.00

- SCREW TYPE
- S: Standard(W/O nut)
 - 1: CC TYPE
 - 2: CS TYPE
 - 3: BR TYPE
 - 4: BRJ TYPE DIM. C: 3~4mm
 - 5: BRJ TYPE DIM. C: 5~6mm

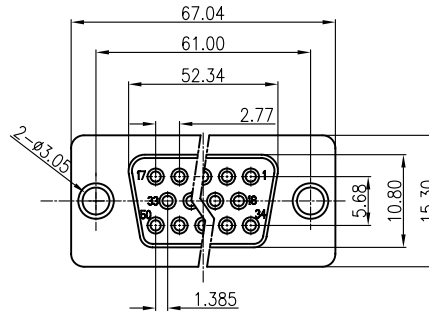
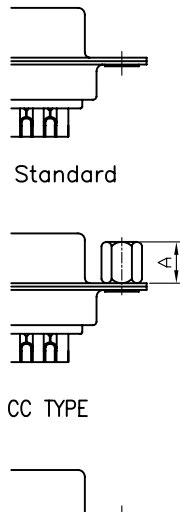
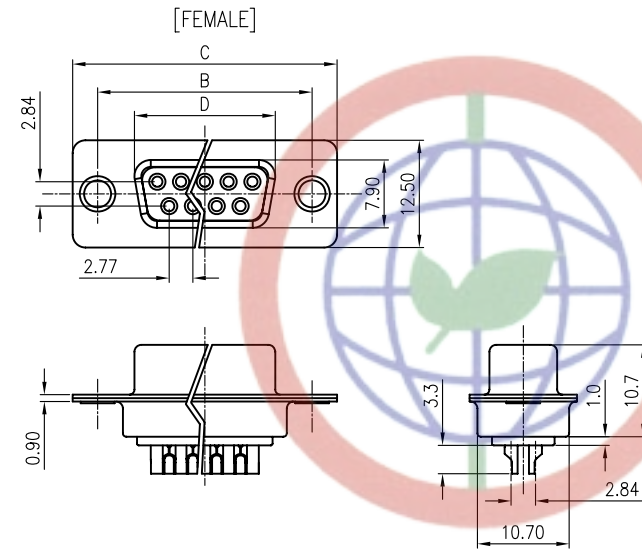
- CONTACT PLATING
- 8: FULL GOLD FLASH
 - Si: SELECTIVE GOLD FLASH

- SHELL PLATING
- T: FRONT & BACK SHELL Tin
 - N: FRONT SHELL Nickel, BACK SHELL Tin

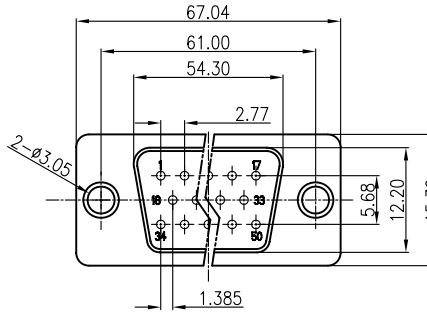
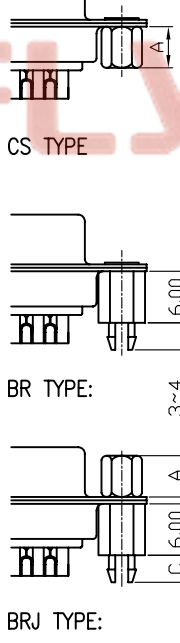
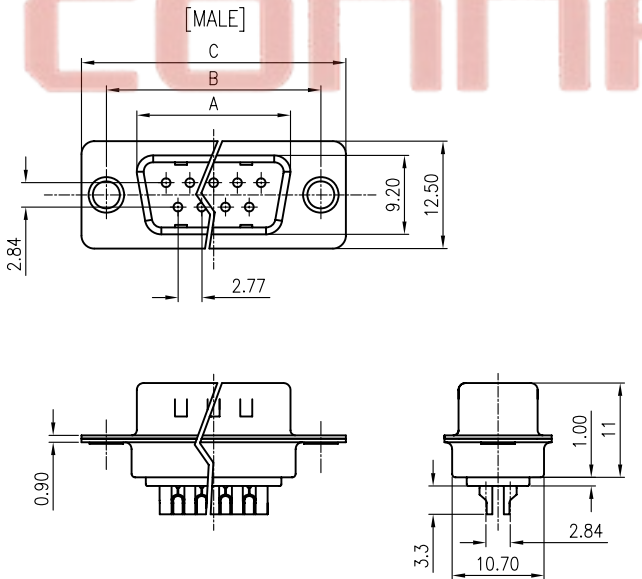
- HOUSING COLOR
- B: BLACK
 - W: WHITE
 - U: BLUE

- CONNECTOR TYPE
- M: Male
 - F: Female

- No.OF CONTACTS
- 09: 9pos.
 - 15: 15pos.
 - 25: 25pos.
 - 37: 37pos.



50pin Female Figure



50pin Male Figure

Dimension

Position	A±0.2	B±0.2	C±0.3	D
9	17.90	24.99	30.80	16.33
15	26.50	33.32	39.14	24.66
25	40.00	47.04	53.04	38.38
37	56.50	63.50	69.32	54.84

GENERAL TOLERANCE	ANGLE TOLERANCE
X. ±0.60	X. ±5°
.X ±0.38	.X ±3°
.XX ±0.25	.XX ±2°

PROJECTION	TITLE
UNITS	mm
SHEET SIZE	A4

D-SUB SOLDER TYPE	
SERIES	DS1033 SERIES

DRAWING TYPE	CUSTOMER
SCALE	1:1 SHEET 1 OF 1
DRAWING NO.	C-DS1033-XXXXXXX


晨翔电子有限公司
CONNFLY CONNFLY ELECTRONIC CO. LTD

Tel: 86-574-63508787

Fax: 86-574-63510817

<http://www.chenxiang.com.cn>
 Add.: West...
 Tel: 86-574-63515321