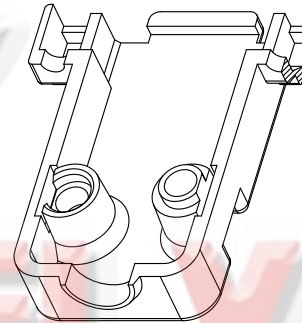
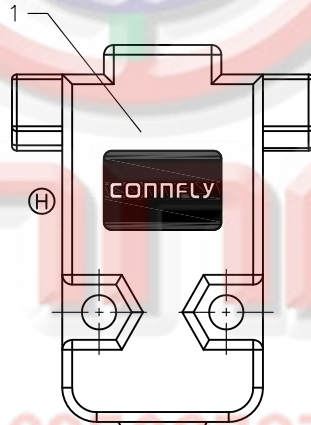
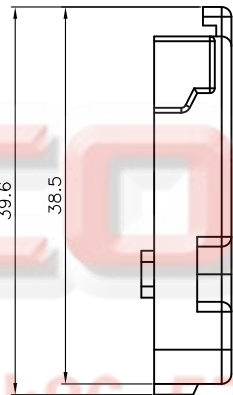
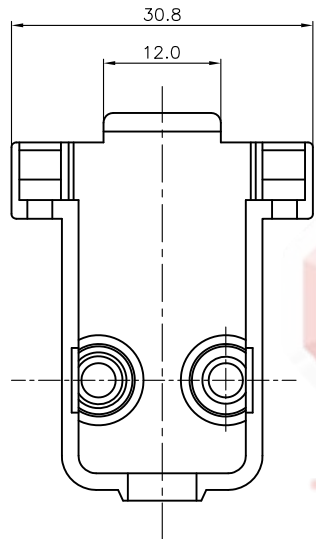
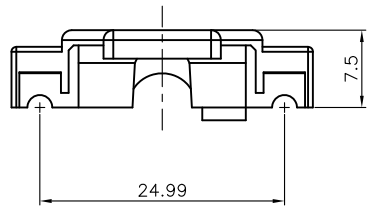


| BOM LIST |                |      |         |
|----------|----------------|------|---------|
| ITEM     | PART NAME      | Q'ty | NOTES   |
| 1        | PLASTIC HOOD   | 2    | SEE P/N |
| 2        | 2.1 LONG BOLT  | 2    | #4-40   |
|          | 2.2 SHORT BOLT | 2    | #4-40   |
| 3        | NUT            | 2    | M3      |
| 4        | LONG SCREW     | 2    | M3      |
| 5        | SMALL WASHER   | 2    | M3      |
| 6        | SHORT SCREW    | 2    | M3      |
| 7        | METAL WASHER   | 2    | M3      |

| REV. | DESCRIPTION     | DRAWN         | CHECKED | APPROVED      |
|------|-----------------|---------------|---------|---------------|
| A    | NEW RELEASE     | LJH 08/13/05' | ~       | LJC 08/13/05' |
| C    | 整理英制短螺丝尺寸       | YCH 07/18/08' | ~       | LJC 07/18/08' |
| D    | 增加“全包装”类型       | YCH 05/20/10' | ~       | LJC 05/20/10' |
| E    | 改M3*12的螺钉为M3*10 | YCH 08/30/10' | ~       | LJC 08/30/10' |
| F    | ADD P/N CODE    | LJC 12/24/13' | ~       | LJC 12/24/13' |
| L    | DRAWING UPDATE  | JLZ 05/21/18' | ~       |               |



NOTES:

1. Hardwares are all Nickel plated.

2. PART NUMBER CODE:

DS1045 - 09 X X X X - X

Hood Materials (H)

A: ABS  
B: Similar ABS

Washer type  
1: Metal

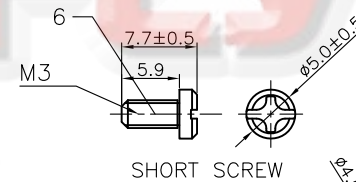
Bolt type  
L: Long  
S: Short

Packing type  
1: Mix packing  
Q: Full packing

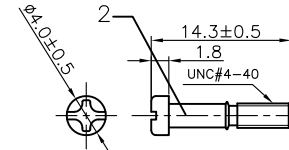
Cover Material  
P: Plastic(ABS)  
Cover Color

A: Gray  
B: Black  
V: Ivory

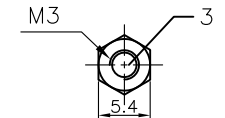
Position  
09: 9pin



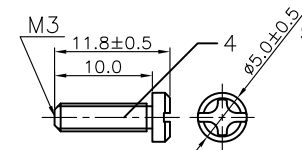
SHORT SCREW



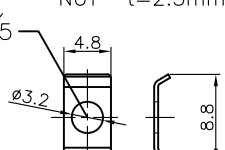
Short BOLT



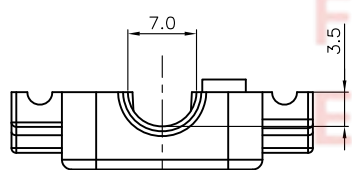
NUT t=2.3mm



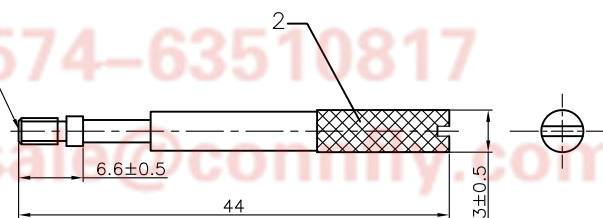
LONG SCREW



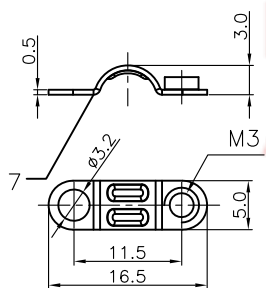
SMALL WASHER



4-40 UNC



Long BOLT



Metal

| GENERAL TOLERANCE |       | ANGLE TOLERANCE |     |
|-------------------|-------|-----------------|-----|
| X.                | ±0.60 | X.              | ±5° |
| .X                | ±0.38 | .X              | ±3° |
| .XX               | ±0.25 | .XX             | ±2° |

| PROJECTION | TITLE |
|------------|-------|
| UNITS      | mm    |
| SHEET SIZE | A4    |

| D-SUB Plastic Hood 180°y<br>9 Positions |               |
|---|---------------|
| SERIES                                  | DS1045 SERIES |

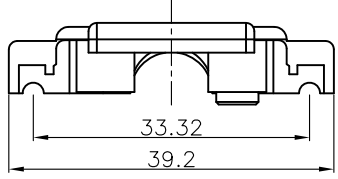
| DRAWING TYPE | COSTOMER             |
|--------------|----------------------|
| SCALE        | 1:1 SHEET 1 OF 1     |
| DRAWING NO.  | C-DS1045-09XXXXX-X-L |



晨翔电子有限公司

CONNFLY® CONNFLY ELECTRONIC CO., LTD

Tel:86-574-63508787  
 Fax:86-574-63510817  
 E-mail:sales@connfly.com  
 http://www.connfly.com  
 Add:East Industry Zone Kuyuan  
 Town Cixi Ningbo China  
 P.C:315333



| BOM LIST |                |      |         |
|----------|----------------|------|---------|
| ITEM     | PART NAME      | Q'ty | NOTES   |
| 1        | PLASTIC HOOD   | 2    | SEE P/N |
| 2        | 2.1 LONG BOLT  | 2    | #4-40   |
|          | 2.2 SHORT BOLT | 2    | #4-40   |
| 3        | NUT            | 2    | M3      |
| 4        | LONG SCREW     | 2    | M3      |
| 5        | SMALL WASHER   | 2    |         |
| 6        | SHORT SCREW    | 2    | M3      |
| 7        | METAL WASHER   | 2    | M3      |

| REV. | DESCRIPTION    | DRAWN         | CHECKED | APPROVED      |
|------|----------------|---------------|---------|---------------|
| A    | NEW RELEASE    | LJH 05/18/05' | ~       | LJC 05/18/05' |
| C    | 整理英制短螺丝尺寸      | YCH 07/18/08' | ~       | LJC 07/18/08' |
| D    | 增加“全包装”类型      | YCH 05/20/10' | ~       | LJC 05/20/10' |
| E    | ADD P/N CODE   | LJC 12/24/13' | ~       | LJC 12/24/13' |
| K    | DRAWING UPDATE | JLZ 05/21/18' | ~       |               |

NOTES:  
 1. Hardwares are all Nickel plated.  
 2. PART NUMBER CODE:  
 DS1045 - 15 X X X X X - X

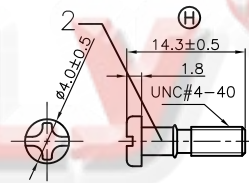
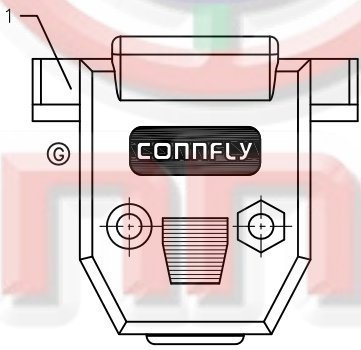
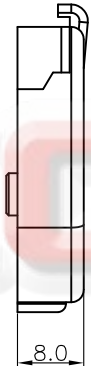
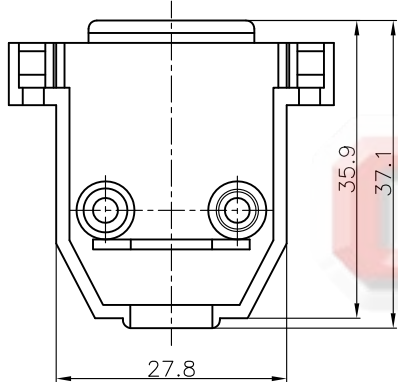
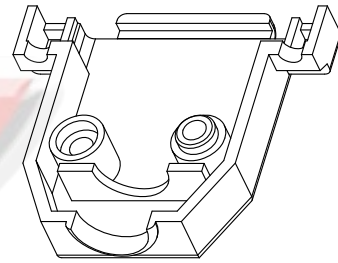
Hood Materials (E)  
 A: ABS  
 B: Similar ABS

Washer type  
 1: Metal

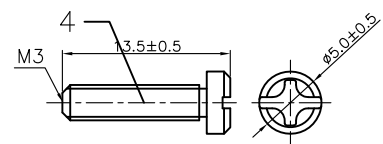
Bolt type  
 L: Long  
 S: Short

Packing type  
 1: Mix packing  
 Q: Full packing

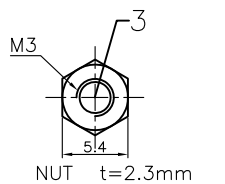
Cover Material  
 P: Plastic(ABS)  
 Cover Color  
 A: Gray  
 B: Black  
 V: Ivory  
 Position  
 15: 15pin



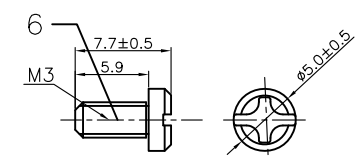
Short BOLT



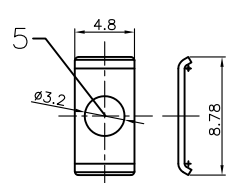
LONG SCREW



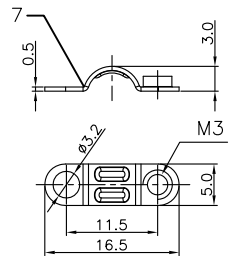
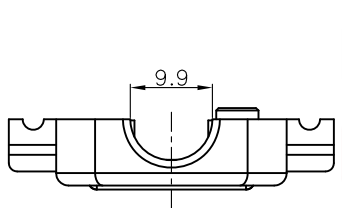
NUT t=2.3mm



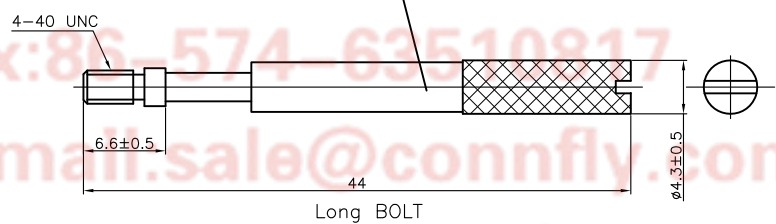
SHORT SCREW



SMALL WASHER



Metal




Long BOLT

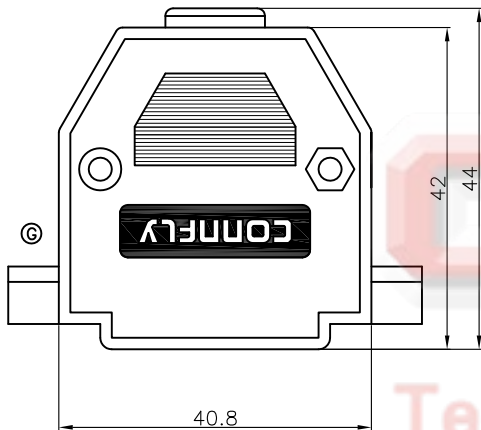
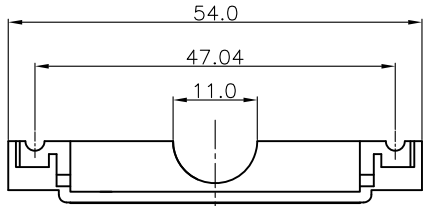
Tel:86-574-63508787  
 Fax:86-574-63510817  
 E-mail:sale@connfly.com  
 http://www.connfly.com  
 Add:East Industry Zone  
 Town Cixiling  
 P.C:315333

| GENERAL TOLERANCE |       | ANGLE TOLERANCE |     |
|-------------------|-------|-----------------|-----|
| X.                | ±0.60 | X.              | ±5° |
| .X                | ±0.38 | .X              | ±3° |
| .XX               | ±0.25 | .XX             | ±2° |

|              |                      |       |        |
|--------------|----------------------|-------|--------|
| DRAWING TYPE | COSTOMER             |       |        |
| SCALE        | 1:1                  | SHEET | 1 OF 1 |
| DRAWING NO.  | C-DS1045-15XXXXX-X-L |       |        |

| PROJECTION | TITLE | D-SUB Plastic Hood 180°y<br>15 Positions |               |
|------------|-------|--|---------------|
| UNITS      | mm    | SHEET SIZE                               | A4            |
| SHEET SIZE | A4    | SERIES                                   | DS1045 SERIES |

 晨翔电子有限公司  
**CONNFLY® CONNFLY ELECTRONIC CO., LTD**



| BOM LIST |                |      |         |
|----------|----------------|------|---------|
| ITEM     | PART NAME      | Q'ty | NOTES   |
| 1        | PLASTIC HOOD   | 2    | SEE P/N |
| 2        | 2.1 LONG BOLT  | 2    | #4-40   |
|          | 2.2 SHORT BOLT | 2    | #4-40   |
| 3        | NUT            | 2    | M3      |
| 4        | LONG SCREW     | 2    | M3      |
| 5        | SMALL WASHER   | 2    |         |
| 6        | SHORT SCREW    | 2    | M3      |
| 7        | METAL WASHER   | 2    | M3      |

| REV. | DESCRIPTION    | DRAWN         | CHECKED | APPROVED      |
|------|----------------|---------------|---------|---------------|
| A    | NEW RELEASE    | LJH 10/26/05' | ~       | LJC 10/26/05' |
| C    | 整理英制短螺丝尺寸      | YCH 07/18/08' | ~       | LJC 07/18/08' |
| D    | 增加“全包装”类型      | YCH 05/20/10' | ~       | LJC 05/20/10' |
| E    | ADD P/N CODE   | LJC 12/24/13' | ~       | LJC 12/24/13' |
| L    | DRAWING UPDATE | JLZ 05/21/18' | ~       |               |

NOTES:  
 1. Hardwares are all Nickel plated.  
 2. PART NUMBER CODE:  
 DS1045 - 25 X X X X X - X

Hood Materials (E)  
 A: ABS  
 B: Similar ABS

Washer type  
 1: Metal

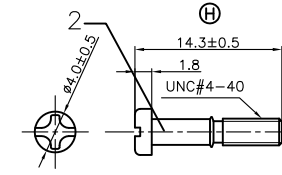
Bolt type  
 L: Long  
 S: Short

Packing type  
 1: Mix packing  
 Q: Full packing

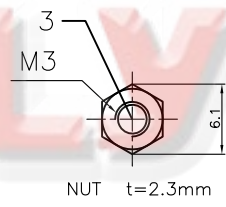
Cover Material  
 P: Plastic(ABS)

Cover Color  
 A: Gray  
 B: Black  
 V: Ivory

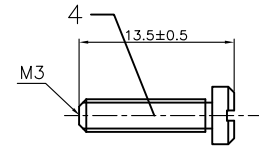
Position  
 25: 25pin



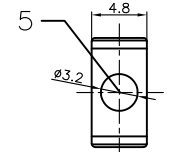
Short BOLT



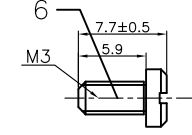
NUT t=2.3mm



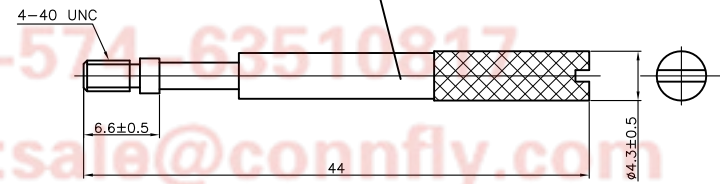
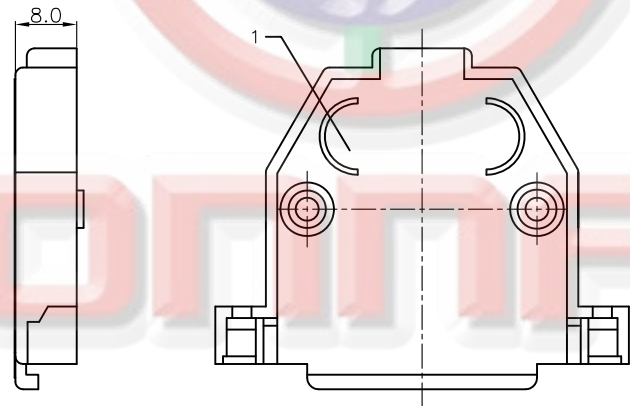
LONG SCREW



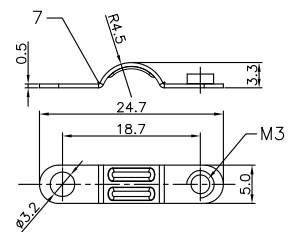
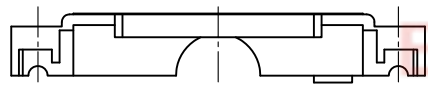
SMALL WASHER



SHORT SCREW



Long BOLT



Metal

Tel:86-574-63508787  
 Fax:86-574-63510817  
 E-mail:sale@connfly.com  
 http://www.connfly.com  
 Add:East Industry Zone Kuanqun  
 Town Cixilingbo China  
 P.C:315333

| GENERAL TOLERANCE |       | ANGLE TOLERANCE |     |
|-------------------|-------|-----------------|-----|
| X.                | ±0.60 | X.              | ±5° |
| .X                | ±0.38 | .X              | ±3° |
| .XX               | ±0.25 | .XX             | ±2° |

| PROJECTION | TITLE                                    |
|------------|--|
|            | D-SUB Plastic Hood 180°y<br>25 Positions |
| UNITS      | mm                                       |
| SHEET SIZE | A4                                       |
| SERIES     | DS1045 SERIES                            |

| DRAWING TYPE | COSTOMER             |
|--------------|----------------------|
| SCALE        | 1:1                  |
| DRAWING NO.  | C-DS1045-25XXXXX-X-L |

晨翔电子有限公司  
**CONNFLY ELECTRONIC CO., LTD**



| BOM LIST |              |      |         |
|----------|--------------|------|---------|
| ITEM     | PART NAME    | Q'ty | NOTES   |
| 1        | PLASTIC HOOD | 2    | SEE P/N |
| 2        | LONG BOLT    | 2    | #4-40   |
|          | SHORT BOLT   | 2    | #4-40   |
| 3        | NUT          | 2    | M3      |
| 4        | LONG SCREW   | 2    | M3      |
| 5        | SMALL WASHER | 2    | M3      |
| 6        | SHORT SCREW  | 2    | M3      |
| 7        | METAL WASHER | 2    | M3      |

| REV. | DESCRIPTION    | DRAWN         | CHECKED | APPROVED      |
|------|----------------|---------------|---------|---------------|
| A    | NEW RELEASE    | LJH 10/26/05' | ~       | LJC 10/26/05' |
| C    | 整理英制短螺丝尺寸      | YCH 07/18/08' | ~       | LJC 07/18/08' |
| D    | 增加“全包装”类型      | YCH 05/20/10' | ~       | LJC 05/20/10' |
| E    | ADD P/N CODE   | LJC 12/24/13' | ~       | LJC 12/24/13' |
| L    | DRAWING UPDATE | JLZ 05/21/18' | ~       |               |

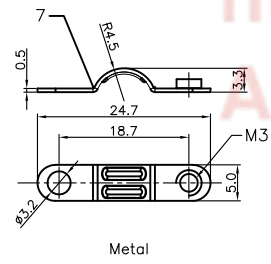
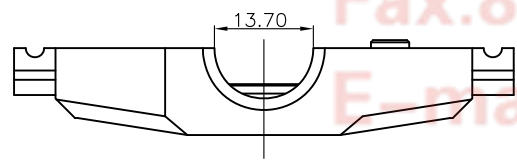
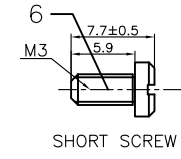
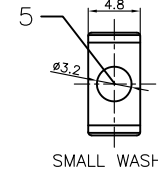
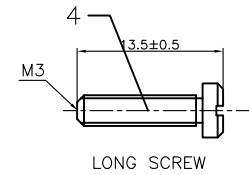
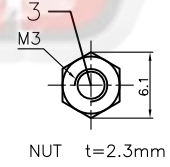
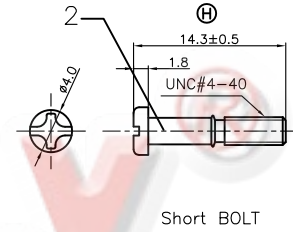
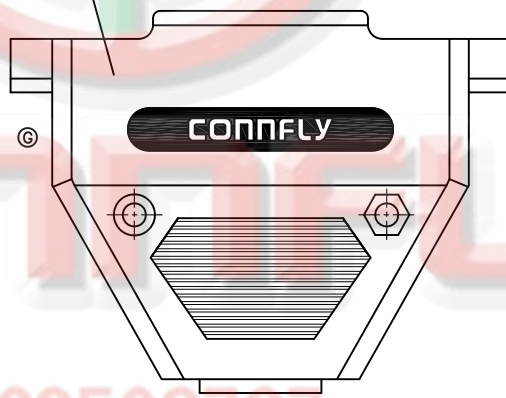
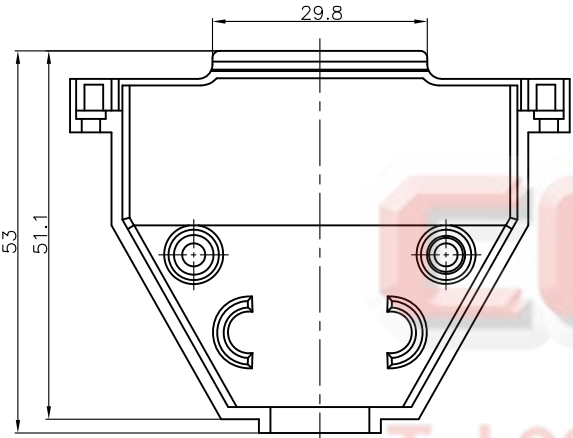
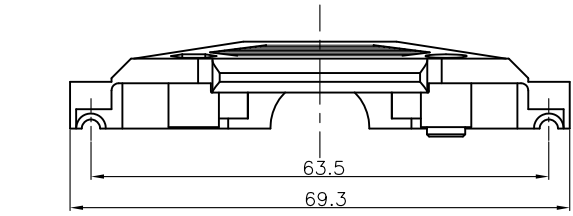
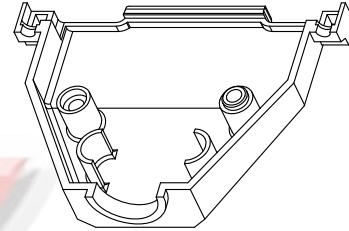
NOTES:  
 1. Hardwares are all Nickel plated.  
 2. PART NUMBER CODE:  
 DS1045 - 37 X X X X X X - X

Hood Materials  
 A: ABS  
 B: Similar ABS

Washer type  
 1: Metal

Bolt type  
 L: Long  
 S: Short  
 Packing type  
 1: Mix packing  
 Q: Full packing

Cover Material  
 P: Plastic(ABS)  
 Cover Color  
 A: Gray  
 B: Black  
 V: Ivory  
 Position  
 37: 37pin




Tel:86-574-63508787  
 Fax:86-574-63510817  
 E-mail:sales@connfly.com  
 http://www.connfly.com

| GENERAL TOLERANCE |       | ANGLE TOLERANCE |     |
|-------------------|-------|-----------------|-----|
| X.                | ±0.60 | X.              | ±5° |
| .X                | ±0.38 | .X              | ±3° |
| .XX               | ±0.25 | .XX             | ±2° |

| PROJECTION | TITLE | D-SUB Plastic Hood 180°y<br>37 Positions |               |
|------------|-------|--|---------------|
| UNITS      | mm    | SHEET SIZE                               | A4            |
| SHEET SIZE | A4    | SERIES                                   | DS1045 SERIES |

| DRAWING TYPE |                      | COSTOMER |        |
|--------------|----------------------|----------|--------|
| SCALE        | 1:1                  | SHEET    | 1 OF 1 |
| DRAWING NO.  | C-DS1045-37XXXXX-X-L |          |        |

 晨翔电子有限公司  
**CONNFLY® CONNFLY ELECTRONIC CO., LTD**

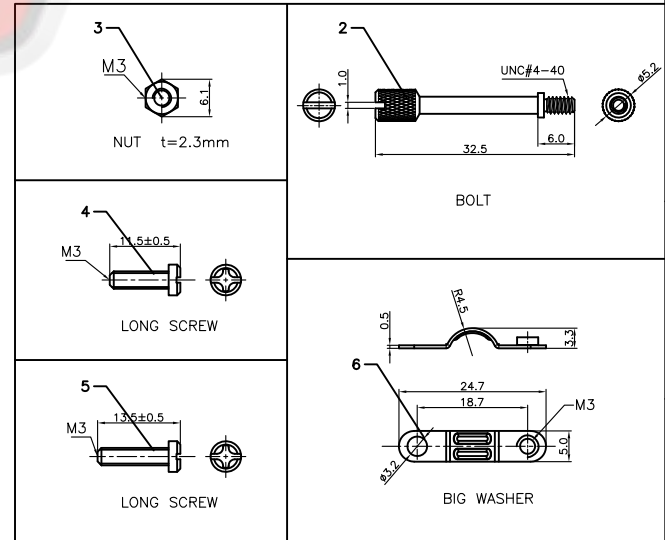
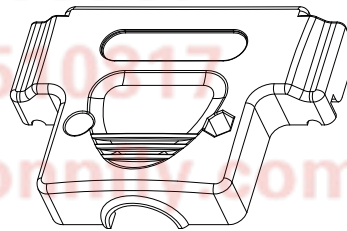
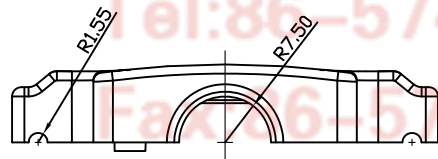
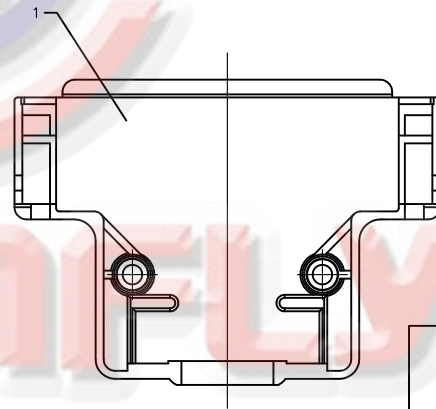
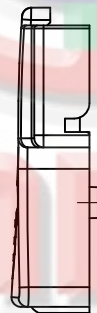
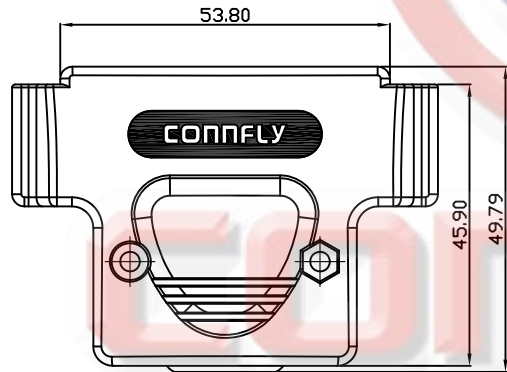
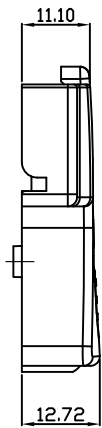
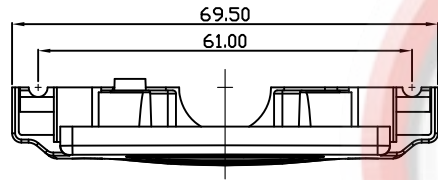
| REV. | DESCRIPTION     | DRAWN         | CHECKED | APPROVED      |
|------|-----------------|---------------|---------|---------------|
| A    | NEW RELEASE     | YCH 05/24/11' | ~       | LJC 05/24/11' |
| B    | ADD P/N CODE    | LJC 12/24/13' | ~       | LJC 12/24/13' |
| C    | Arrange Drawing | JLZ 10/09/14' | ~       | LJC 10/09/14' |
| L    | DRAWING UPDATE  | JLZ 05/21/18' | ~       |               |

NOTES:

1. Hardwares are all Nickel plated.
2. PART NUMBER CODE:

DS1045 - 50 X X X - X

- Hood Materials®
  - A: ABS
  - B: Similar ABS
- Packing type
  - 1: Mix packing
- Cover Color
  - A: Gray
  - B: Black
- Cover Material
  - P: Plastic(ABS)
- Position
  - 50: 50pin



| BOM LIST |              |      |         |
|----------|--------------|------|---------|
| ITEM     | PART NAME    | Q'ty | NOTES   |
| 1        | PLASTIC HOOD | 2    | SEE P/N |
| 2        | BOLT         | 2    | #4-40   |
| 3        | NUT          | 2    | M3      |
| 4        | M3*10 SCREW  | 2    | M3      |
| 5        | M3*12 SCREW  | 2    | M3      |
| 6        | BIG WASHER   | 2    | M3      |

| GENERAL TOLERANCE |       | ANGLE TOLERANCE |     |
|-------------------|-------|-----------------|-----|
| X.                | ±0.60 | X.              | ±5° |
| .X                | ±0.38 | .X              | ±3° |
| .XX               | ±0.25 | .XX             | ±2° |

| DRAWING TYPE | CUSTOMER           |
|--------------|--------------------|
| SCALE        | 1:1                |
| DRAWING NO.  | C-DS1045-50XXX-X-L |

| PROJECTION | TITLE | D-SUB Plastic Hood 180°y<br>50 Positions |               |
|------------|-------|--|---------------|
| UNITS      | mm    | SHEET SIZE                               | A4            |
| SHEET SIZE | A4    | SERIES                                   | DS1045 SERIES |

 晨翔电子有限公司  
CONNFLY® CONNFLY ELECTRONIC CO., LTD