



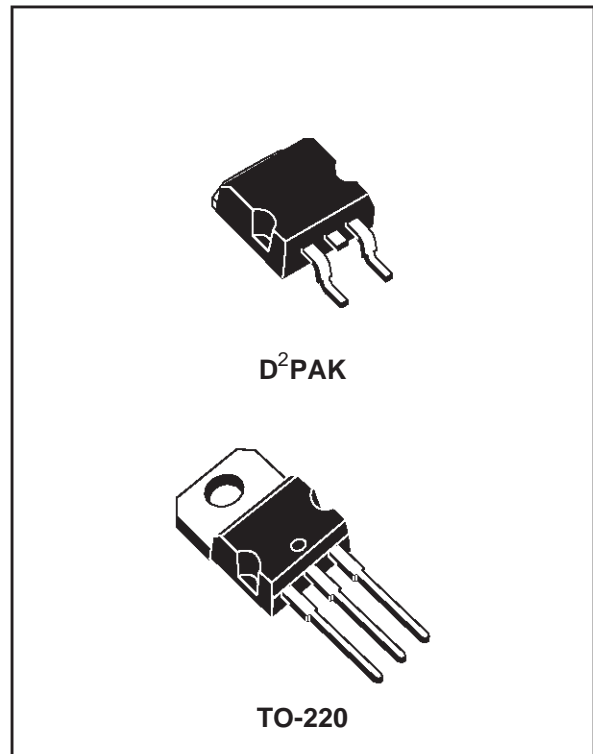
# L7800AB/AC SERIES

## PRECISION 1A REGULATORS

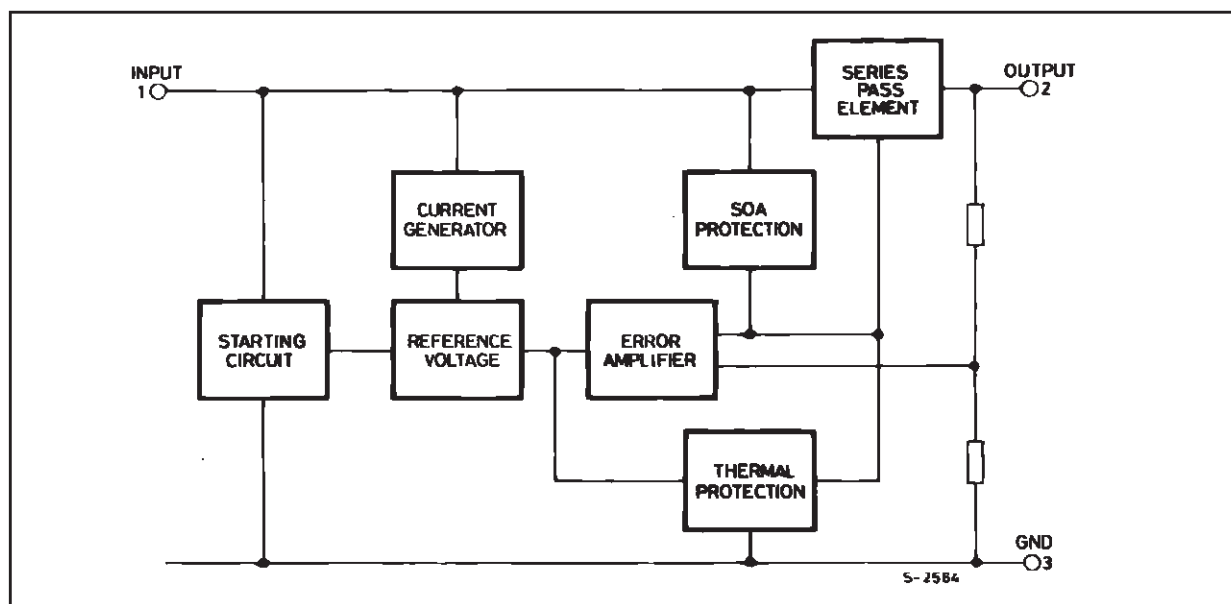
- OUTPUT CURRENT IN EXCESS OF 1 A
- OUTPUT VOLTAGES OF 5; 6; 8; 9; 12; 15; 18; 20; 24V
- THERMAL OVERLOAD PROTECTION
- OUTPUT TRANSITION SOA PROTECTION
- 2% OUTPUT VOLTAGE TOLERANCE
- GUARANTEED IN EXTENDED TEMPERATURE RANGE

### DESCRIPTION

The L7800A series of three-terminal positive regulators is available in TO-220 and D<sup>2</sup>PAK packages and several fixed output voltages, making it useful in a wide range of applications. These regulators can provide local on-card regulation, eliminating the distribution problems associated with single point regulation. Each type employs internal current limiting, thermal shut-down and safe area protection, making it essentially indestructible. If adequate heat sinking is provided, they can deliver over 1A output current. Although designed primarily as fixed voltage regulators, these devices can be used with external components to obtain adjustable voltages and currents.



### BLOCK DIAGRAM



# L7800AB/AC

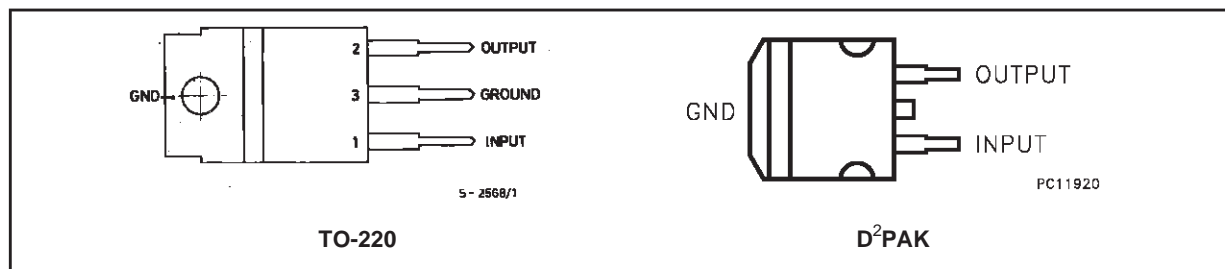
## ABSOLUTE MAXIMUM RATINGS

Symbol	Parameter	Value	Unit
V <sub>i</sub>	DC Input Voltage (for V <sub>O</sub> = 5 to 18V) (for V <sub>O</sub> = 20, 24V)	35	V
		40	V
I <sub>o</sub>	Output Current	Internally limited	
P <sub>tot</sub>	Power Dissipation	Internally limited	
T <sub>op</sub>	Operating Junction Temperature Range (for <b>L7800AC</b> ) (for <b>L7800AB</b> )	0 to 150	°C
		-40 to 125	°C
T <sub>stg</sub>	Storage Temperature Range	- 65 to 150	°C

## THERMAL DATA

Symbol	Parameter		D <sup>2</sup> PAK	TO-220	Unit
R <sub>thj-case</sub>	Thermal Resistance Junction-case	Max	3	3	°C/W
R <sub>thj-amb</sub>	Thermal Resistance Junction-ambient	Max	62.5	50	°C/W

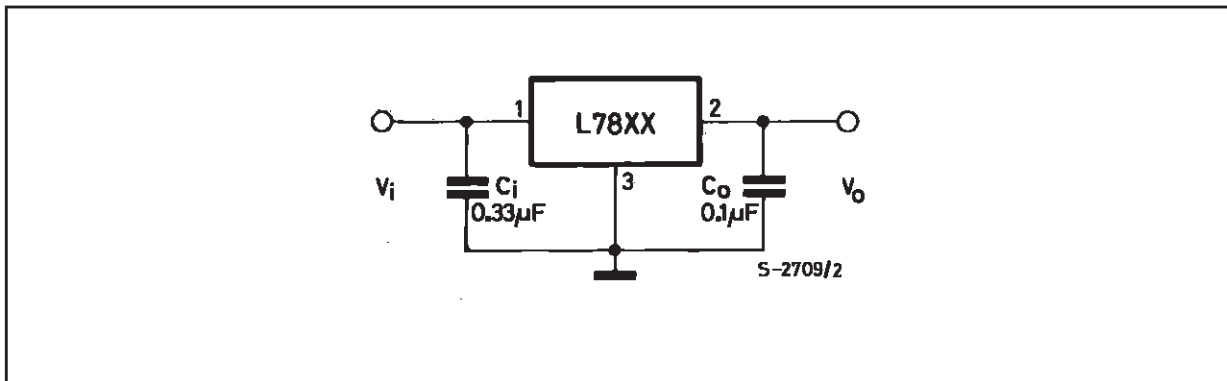
## CONNECTION DIAGRAM AND ORDERING NUMBERS (top view)



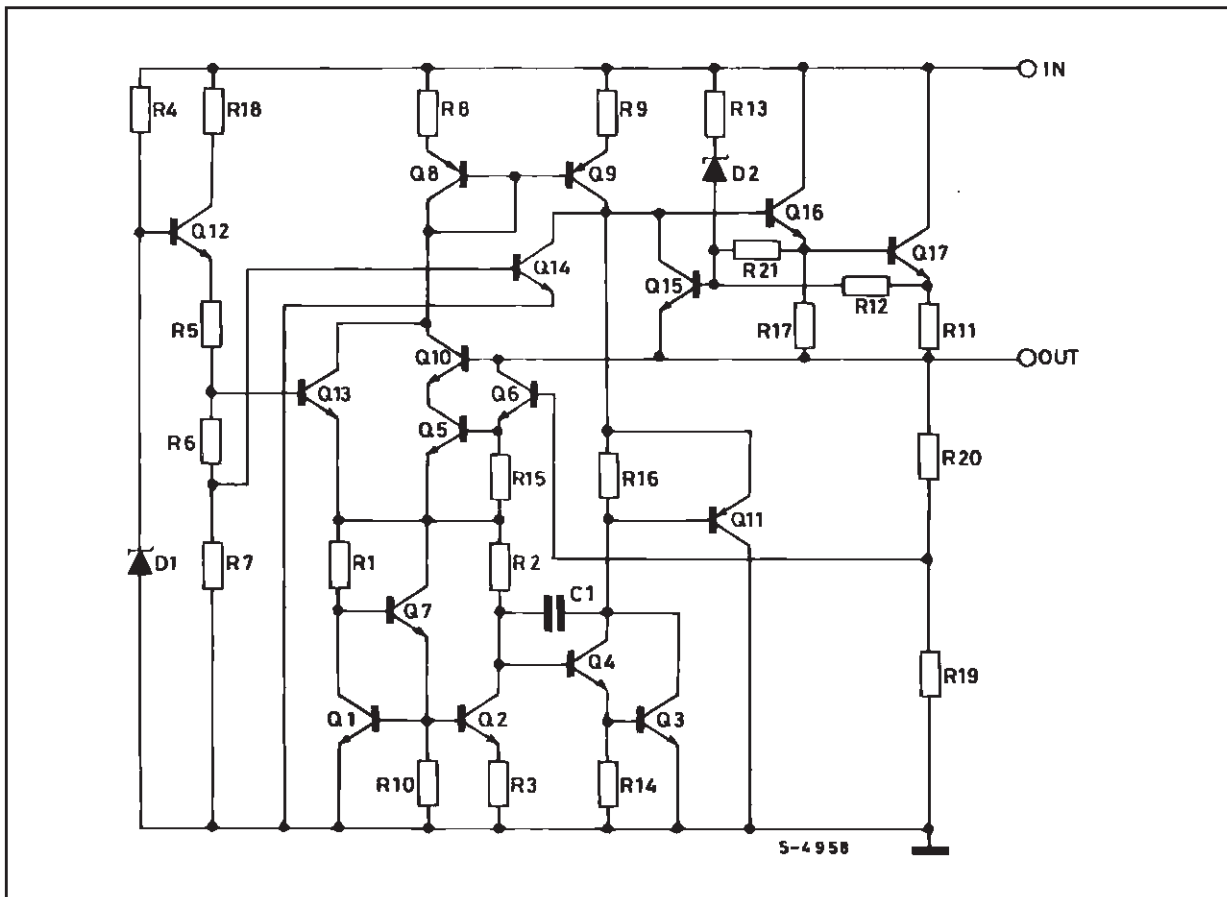
Type	TO-220	D <sup>2</sup> PAK (*)	Output Voltage
L7805AB	L7805ABV	L7805ABD2T	5V
L7805AC	L7805ACV	L7805ACD2T	5V
L7806AB	L7806ABV	L7806ABD2T	6V
L7806AC	L7806ACV	L7806ACD2T	6V
L7808AB	L7808ABV	L7808ABD2T	8V
L7808AC	L7808ACV	L7808ACD2T	8V
L7809AB	L7809ABV	L7809ABD2T	9V
L7809AC	L7809ACV	L7809ACD2T	9V
L7812AB	L7812ABV	L7812ABD2T	12V
L7812AC	L7812ACV	L7812ACD2T	12V
L7815AB	L7815ABV	L7815ABD2T	15V
L7815AC	L7815ACV	L7815ACD2T	15V
L7818AB	L7818ABV		18V
L7818AC	L7818ACV		18V
L7820AB	L7820ABV		24V
L7820AC	L7820ACV		24V
L7824AB	L7824ABV		
L7824AC	L7824ACV		

(\*) AVAILABLE IN TAPE AND REEL WITH "-TR" SUFFIX

## APPLICATION CIRCUIT



## SCHEMATIC DIAGRAM



TEST CIRCUITS

Figure 1 : DC Parameter

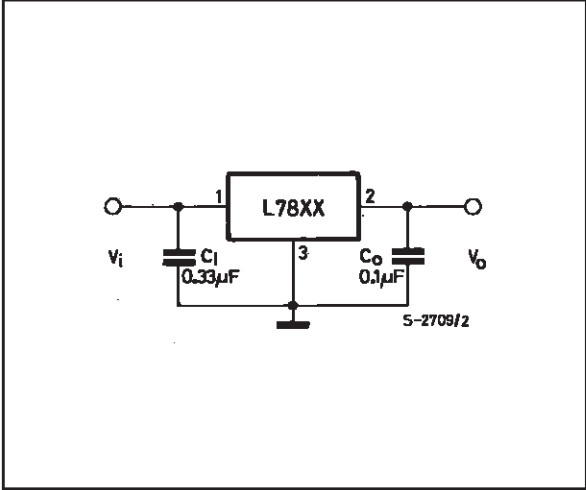


Figure 2 : Load Regulation.

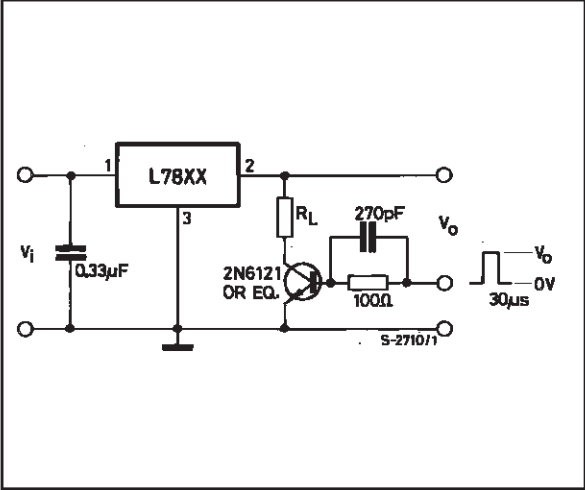
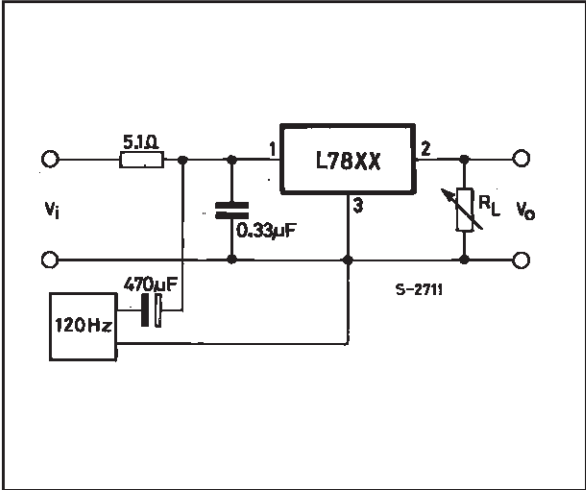


Figure 3 : Ripple Rejection.



**ELECTRICAL CHARACTERISTICS FOR L7805A** ( $V_i = 10V$ ,  $I_o = 1 A$ ,  $T_j = 0$  to  $125\text{ }^\circ\text{C}$  (L7805AC),  
 $T_j = -40$  to  $125\text{ }^\circ\text{C}$  (L7805AB) unless otherwise specified)

Symbol	Parameter	Test Conditions	Min.	Typ.	Max.	Unit
$V_o$	Output Voltage	$T_j = 25\text{ }^\circ\text{C}$	4.9	5	5.1	V
$V_o$	Output Voltage	$I_o = 5\text{ mA to }1\text{ A}$ $P_o \leq 15\text{ W}$ $V_i = 7.5\text{ to }20\text{ V}$	4.8	5	5.2	V
$\Delta V_o^*$	Line Regulation	$V_i = 7.5\text{ to }25\text{ V}$ $I_o = 500\text{ mA}$ $V_i = 8\text{ to }12\text{ V}$ $V_i = 8\text{ to }12\text{ V}$ $T_j = 25\text{ }^\circ\text{C}$ $V_i = 7.3\text{ to }20\text{ V}$ $T_j = 25\text{ }^\circ\text{C}$		7 10 2 7	50 5 25 50	mV mV mV mV
$\Delta V_o^*$	Load Regulation	$I_o = 5\text{ mA to }1\text{ A}$ $I_o = 5\text{ mA to }1.5\text{ A}$ $T_j = 25\text{ }^\circ\text{C}$ $I_o = 250\text{ to }750\text{ mA}$		25 30 8	100 100 50	mV mV mV
$I_d$	Quiescent Current	$T_j = 25\text{ }^\circ\text{C}$		4.3	6 6	mA
$\Delta I_d$	Quiescent Current Change	$V_i = 8\text{ to }25\text{ V}$ $I_o = 500\text{ mA}$ $V_i = 7.5\text{ to }20\text{ V}$ $T_j = 25\text{ }^\circ\text{C}$ $I_o = 5\text{ mA to }1\text{ A}$			0.8 0.8 0.5	mA mA mA
SVR	Supply Voltage Rejection	$V_i = 8\text{ to }18\text{ V}$ $f = 120\text{ Hz}$ $I_o = 500\text{ mA}$		68		dB
$V_d$	Dropout Voltage	$I_o = 1\text{ A}$ $T_j = 25\text{ }^\circ\text{C}$		2		V
$e_N$	Output Noise Voltage	$B = 10\text{ Hz to }100\text{ kHz}$ $T_j = 25\text{ }^\circ\text{C}$		10		$\mu\text{V}/V_o$
$R_o$	Output Resistance	$f = 1\text{ kHz}$		17		$\text{m}\Omega$
$I_{sc}$	Short Circuit Current	$V_i = 35\text{ V}$ $T_{amb} = 25\text{ }^\circ\text{C}$		0.2		A
$I_{scp}$	Short Circuit Peak Current	$T_j = 25\text{ }^\circ\text{C}$		2.2		A
$\frac{\Delta V_o}{\Delta T}$	Output Voltage Drift			-1.1		$\text{mV}/^\circ\text{C}$

\* Load and line regulation are specified at constant junction temperature. Changes in  $V_o$  due to heating effects must be taken into account separately. Pulse testing with low duty cycle is used.

## L7800AB/AC

**ELECTRICAL CHARACTERISTICS FOR L7806A** ( $V_i = 11\text{V}$ ,  $I_o = 1\text{ A}$ ,  $T_j = 0\text{ to }125\text{ }^\circ\text{C}$  (L7806AC),  
 $T_j = -40\text{ to }125\text{ }^\circ\text{C}$  (L7806AB) unless otherwise specified)

Symbol	Parameter	Test Conditions	Min.	Typ.	Max.	Unit
$V_o$	Output Voltage	$T_j = 25\text{ }^\circ\text{C}$	5.88	6	6.12	V
$V_o$	Output Voltage	$I_o = 5\text{ mA to }1\text{ A}$ $P_o \leq 15\text{ W}$ $V_i = 8.6\text{ to }21\text{ V}$	5.76	6	6.24	V
$\Delta V_o^*$	Line Regulation	$V_i = 8.6\text{ to }25\text{ V}$ $I_o = 500\text{ mA}$ $V_i = 9\text{ to }13\text{ V}$ $V_i = 9\text{ to }13\text{ V}$ $T_j = 25\text{ }^\circ\text{C}$ $V_i = 8.3\text{ to }21\text{ V}$ $T_j = 25\text{ }^\circ\text{C}$		9 11 3 9	60 60 30 60	mV mV mV mV
$\Delta V_o^*$	Load Regulation	$I_o = 5\text{ mA to }1\text{ A}$ $I_o = 5\text{ mA to }1.5\text{ A}$ $T_j = 25\text{ }^\circ\text{C}$ $I_o = 250\text{ to }750\text{ mA}$		25 30 10	100 100 50	mV mV mV
$I_d$	Quiescent Current	$T_j = 25\text{ }^\circ\text{C}$		4.3	6 6	mA
$\Delta I_d$	Quiescent Current Change	$V_i = 9\text{ to }25\text{ V}$ $I_o = 500\text{ mA}$ $V_i = 8.6\text{ to }21\text{ V}$ $T_j = 25\text{ }^\circ\text{C}$ $I_o = 5\text{ mA to }1\text{ A}$			0.8 0.8 0.5	mA mA mA
SVR	Supply Voltage Rejection	$V_i = 9\text{ to }19\text{ V}$ $f = 120\text{ Hz}$ $I_o = 500\text{ mA}$		65		dB
$V_d$	Dropout Voltage	$I_o = 1\text{ A}$ $T_j = 25\text{ }^\circ\text{C}$		2		V
$e_N$	Output Noise Voltage	$B = 10\text{ Hz to }100\text{ kHz}$ $T_j = 25\text{ }^\circ\text{C}$		10		$\mu\text{V}/V_o$
$R_o$	Output Resistance	$f = 1\text{ kHz}$		17		$\text{m}\Omega$
$I_{sc}$	Short Circuit Current	$V_i = 35\text{ V}$ $T_{amb} = 25\text{ }^\circ\text{C}$		0.2		A
$I_{scp}$	Short Circuit Peak Current	$T_j = 25\text{ }^\circ\text{C}$		2.2		A
$\frac{\Delta V_o}{\Delta T}$	Output Voltage Drift			-0.8		$\text{mV}/^\circ\text{C}$

\* Load and line regulation are specified at constant junction temperature. Changes in  $V_o$  due to heating effects must be taken into account separately. Pulse testing with low duty cycle is used.

**ELECTRICAL CHARACTERISTICS FOR L7808A** ( $V_i = 14\text{V}$ ,  $I_o = 1\text{ A}$ ,  $T_j = 0\text{ to }125\text{ }^\circ\text{C}$  (L7808AC),  
 $T_j = -40\text{ to }125\text{ }^\circ\text{C}$  (L7808AB) unless otherwise specified)

Symbol	Parameter	Test Conditions	Min.	Typ.	Max.	Unit
$V_o$	Output Voltage	$T_j = 25\text{ }^\circ\text{C}$	7.84	8	8.16	V
$V_o$	Output Voltage	$I_o = 5\text{ mA to }1\text{ A}$ $P_o \leq 15\text{ W}$ $V_i = 10.6\text{ to }23\text{ V}$	7.7	8	8.3	V
$\Delta V_o^*$	Line Regulation	$V_i = 10.6\text{ to }25\text{ V}$ $I_o = 500\text{ mA}$		12	80	mV
		$V_i = 11\text{ to }17\text{ V}$		15	80	mV
		$V_i = 11\text{ to }17\text{ V}$ $T_j = 25\text{ }^\circ\text{C}$		5	40	mV
		$V_i = 10.4\text{ to }23\text{ V}$ $T_j = 25\text{ }^\circ\text{C}$		12	80	mV
$\Delta V_o^*$	Load Regulation	$I_o = 5\text{ mA to }1\text{ A}$		25	100	mV
		$I_o = 5\text{ mA to }1.5\text{ A}$ $T_j = 25\text{ }^\circ\text{C}$		30	100	mV
		$I_o = 250\text{ to }750\text{ mA}$		10	50	mV
$I_d$	Quiescent Current	$T_j = 25\text{ }^\circ\text{C}$		4.3	6 6	mA
$\Delta I_d$	Quiescent Current Change	$V_i = 11\text{ to }25\text{ V}$ $I_o = 500\text{ mA}$			0.8	mA
		$V_i = 10.6\text{ to }23\text{ V}$ $T_j = 25\text{ }^\circ\text{C}$			0.8	mA
		$I_o = 5\text{ mA to }1\text{ A}$			0.5	mA
SVR	Supply Voltage Rejection	$V_i = 11.5\text{ to }21.5\text{ V}$ $f = 120\text{ Hz}$ $I_o = 500\text{ mA}$		62		dB
$V_d$	Dropout Voltage	$I_o = 1\text{ A}$ $T_j = 25\text{ }^\circ\text{C}$		2		V
$e_N$	Output Noise Voltage	$B = 10\text{ Hz to }100\text{ kHz}$ $T_j = 25\text{ }^\circ\text{C}$		10		$\mu\text{V}/V_o$
$R_o$	Output Resistance	$f = 1\text{ kHz}$		18		$\text{m}\Omega$
$I_{sc}$	Short Circuit Current	$V_i = 35\text{ V}$ $T_{amb} = 25\text{ }^\circ\text{C}$		0.2		A
$I_{scp}$	Short Circuit Peak Current	$T_j = 25\text{ }^\circ\text{C}$		2.2		A
$\frac{\Delta V_o}{\Delta T}$	Output Voltage Drift			-0.8		$\text{mV}/^\circ\text{C}$

\* Load and line regulation are specified at constant junction temperature. Changes in  $V_o$  due to heating effects must be taken into account separately. Pulse testing with low duty cycle is used.

## L7800AB/AC

**ELECTRICAL CHARACTERISTICS FOR L7809A** ( $V_i = 15V$ ,  $I_o = 1 A$ ,  $T_j = 0$  to  $125\text{ }^\circ\text{C}$  (L7809AC),  $T_j = -40$  to  $125\text{ }^\circ\text{C}$  (L7809AB) unless otherwise specified)

Symbol	Parameter	Test Conditions	Min.	Typ.	Max.	Unit
$V_o$	Output Voltage	$T_j = 25\text{ }^\circ\text{C}$	8.82	9	9.18	V
$V_o$	Output Voltage	$I_o = 5\text{ mA to }1\text{ A}$ $P_o \leq 15\text{ W}$ $V_i = 10.6\text{ to }23\text{ V}$	8.65	9	9.35	V
$\Delta V_o^*$	Line Regulation	$V_i = 10.6\text{ to }25\text{ V}$ $I_o = 500\text{ mA}$ $V_i = 11\text{ to }17\text{ V}$ $V_i = 11\text{ to }17\text{ V}$ $T_j = 25\text{ }^\circ\text{C}$ $V_i = 10.4\text{ to }23\text{ V}$ $T_j = 25\text{ }^\circ\text{C}$		12 15 5 12	90 90 45 90	mV mV mV mV
$\Delta V_o^*$	Load Regulation	$I_o = 5\text{ mA to }1\text{ A}$ $I_o = 5\text{ mA to }1.5\text{ A}$ $T_j = 25\text{ }^\circ\text{C}$ $I_o = 250\text{ to }750\text{ mA}$		25 30 10	100 100 50	mV mV mV
$I_d$	Quiescent Current	$T_j = 25\text{ }^\circ\text{C}$		4.3	6 6	mA
$\Delta I_d$	Quiescent Current Change	$V_i = 11\text{ to }25\text{ V}$ $I_o = 500\text{ mA}$ $V_i = 10.6\text{ to }23\text{ V}$ $T_j = 25\text{ }^\circ\text{C}$ $I_o = 5\text{ mA to }1\text{ A}$			0.8 0.8 0.5	mA mA mA
SVR	Supply Voltage Rejection	$V_i = 11.5\text{ to }21.5\text{ V}$ $f = 120\text{ Hz}$ $I_o = 500\text{ mA}$		61		dB
$V_d$	Dropout Voltage	$I_o = 1\text{ A}$ $T_j = 25\text{ }^\circ\text{C}$		2		V
$e_N$	Output Noise Voltage	$B = 10\text{ Hz to }100\text{ KHz}$ $T_j = 25\text{ }^\circ\text{C}$		10		$\mu\text{V}/V_o$
$R_o$	Output Resistance	$f = 1\text{ KHz}$		18		$\text{m}\Omega$
$I_{sc}$	Short Circuit Current	$V_i = 35\text{ V}$ $T_{amb} = 25\text{ }^\circ\text{C}$		0.2		A
$I_{scp}$	Short Circuit Peak Current	$T_j = 25\text{ }^\circ\text{C}$		2.2		A
$\frac{\Delta V_o}{\Delta T}$	Output Voltage Drift			-0.8		$\text{mV}/^\circ\text{C}$

\* Load and line regulation are specified at constant junction temperature. Changes in  $V_o$  due to heating effects must be taken into account separately. Pulse testing with low duty cycle is used.



**ELECTRICAL CHARACTERISTICS FOR L7812A** ( $V_i = 19V$ ,  $I_o = 1 A$ ,  $T_j = 0$  to  $125\text{ }^\circ\text{C}$  (L7812AC),  
 $T_j = -40$  to  $125\text{ }^\circ\text{C}$  (L7812AB) unless otherwise specified)

Symbol	Parameter	Test Conditions	Min.	Typ.	Max.	Unit
$V_o$	Output Voltage	$T_j = 25\text{ }^\circ\text{C}$	11.75	12	12.25	V
$V_o$	Output Voltage	$I_o = 5\text{ mA to }1\text{ A}$ $P_o \leq 15\text{ W}$ $V_i = 14.8\text{ to }27\text{ V}$	11.5	12	12.5	V
$\Delta V_o^*$	Line Regulation	$V_i = 14.8\text{ to }30\text{ V}$ $I_o = 500\text{ mA}$ $V_i = 16\text{ to }22\text{ V}$ $V_i = 16\text{ to }22\text{ V}$ $T_j = 25\text{ }^\circ\text{C}$ $V_i = 14.5\text{ to }27\text{ V}$ $T_j = 25\text{ }^\circ\text{C}$		13 16 6 13	120 120 60 120	mV mV mV mV
$\Delta V_o^*$	Load Regulation	$I_o = 5\text{ mA to }1\text{ A}$ $I_o = 5\text{ mA to }1.5\text{ A}$ $T_j = 25\text{ }^\circ\text{C}$ $I_o = 250\text{ to }750\text{ mA}$		25 30 10	100 100 50	mV mV mV
$I_d$	Quiescent Current	$T_j = 25\text{ }^\circ\text{C}$		4.4	6 6	mA
$\Delta I_d$	Quiescent Current Change	$V_i = 15\text{ to }30\text{ V}$ $I_o = 500\text{ mA}$ $V_i = 14.8\text{ to }27\text{ V}$ $T_j = 25\text{ }^\circ\text{C}$ $I_o = 5\text{ mA to }1\text{ A}$			0.8 0.8 0.5	mA mA mA
SVR	Supply Voltage Rejection	$V_i = 15\text{ to }25\text{ V}$ $f = 120\text{ Hz}$ $I_o = 500\text{ mA}$		60		dB
$V_d$	Dropout Voltage	$I_o = 1\text{ A}$ $T_j = 25\text{ }^\circ\text{C}$		2		V
$e_N$	Output Noise Voltage	$B = 10\text{ Hz to }100\text{ KHz}$ $T_j = 25\text{ }^\circ\text{C}$		10		$\mu\text{V}/V_o$
$R_o$	Output Resistance	$f = 1\text{ KHz}$		18		$\text{m}\Omega$
$I_{sc}$	Short Circuit Current	$V_i = 35\text{ V}$ $T_{amb} = 25\text{ }^\circ\text{C}$		0.2		A
$I_{scp}$	Short Circuit Peak Current	$T_j = 25\text{ }^\circ\text{C}$		2.2		A
$\frac{\Delta V_o}{\Delta T}$	Output Voltage Drift			-1		$\text{mV}/^\circ\text{C}$

\* Load and line regulation are specified at constant junction temperature. Changes in  $V_o$  due to heating effects must be taken into account separately. Pulse testing with low duty cycle is used.

## L7800AB/AC

**ELECTRICAL CHARACTERISTICS FOR L7815A** ( $V_i = 23V$ ,  $I_o = 1 A$ ,  $T_j = 0$  to  $125\text{ }^\circ\text{C}$  (L7815AC),  $T_j = -40$  to  $125\text{ }^\circ\text{C}$  (L7815AB) unless otherwise specified)

Symbol	Parameter	Test Conditions	Min.	Typ.	Max.	Unit
$V_o$	Output Voltage	$T_j = 25\text{ }^\circ\text{C}$	14.7	15	15.3	V
$V_o$	Output Voltage	$I_o = 5\text{ mA to }1\text{ A}$ $P_o \leq 15\text{ W}$ $V_i = 17.9\text{ to }30\text{ V}$	14.4	15	15.6	V
$\Delta V_o^*$	Line Regulation	$V_i = 17.9\text{ to }30\text{ V}$ $I_o = 500\text{ mA}$ $V_i = 20\text{ to }26\text{ V}$ $V_i = 20\text{ to }26\text{ V}$ $T_j = 25\text{ }^\circ\text{C}$ $V_i = 17.5\text{ to }30\text{ V}$ $T_j = 25\text{ }^\circ\text{C}$		13 16 6 13	150 150 75 150	mV mV mV mV
$\Delta V_o^*$	Load Regulation	$I_o = 5\text{ mA to }1\text{ A}$ $I_o = 5\text{ mA to }1.5\text{ A}$ $T_j = 25\text{ }^\circ\text{C}$ $I_o = 250\text{ to }750\text{ mA}$		25 30 10	100 100 50	mV mV mV
$I_d$	Quiescent Current	$T_j = 25\text{ }^\circ\text{C}$		4.4	6 6	mA
$\Delta I_d$	Quiescent Current Change	$V_i = 17.5\text{ to }30\text{ V}$ $I_o = 500\text{ mA}$ $V_i = 17.5\text{ to }30\text{ V}$ $T_j = 25\text{ }^\circ\text{C}$ $I_o = 5\text{ mA to }1\text{ A}$			0.8 0.8 0.5	mA mA mA
SVR	Supply Voltage Rejection	$V_i = 18.5\text{ to }28.5\text{ V}$ $f = 120\text{ Hz}$ $I_o = 500\text{ mA}$		58		dB
$V_d$	Dropout Voltage	$I_o = 1\text{ A}$ $T_j = 25\text{ }^\circ\text{C}$		2		V
$e_N$	Output Noise Voltage	$B = 10\text{ Hz to }100\text{ kHz}$ $T_j = 25\text{ }^\circ\text{C}$		10		$\mu\text{V}/V_o$
$R_o$	Output Resistance	$f = 1\text{ kHz}$		19		$\text{m}\Omega$
$I_{sc}$	Short Circuit Current	$V_i = 35\text{ V}$ $T_{amb} = 25\text{ }^\circ\text{C}$		0.2		A
$I_{scp}$	Short Circuit Peak Current	$T_j = 25\text{ }^\circ\text{C}$		2.2		A
$\frac{\Delta V_o}{\Delta T}$	Output Voltage Drift			-1		$\text{mV}/^\circ\text{C}$

\* Load and line regulation are specified at constant junction temperature. Changes in  $V_o$  due to heating effects must be taken into account separately. Pulse testing with low duty cycle is used.

**ELECTRICAL CHARACTERISTICS FOR L7818A** ( $V_i = 27V$ ,  $I_o = 1 A$ ,  $T_j = 0$  to  $125\text{ }^\circ\text{C}$  (L7818AC),  
 $T_j = -40$  to  $125\text{ }^\circ\text{C}$  (L7818AB) unless otherwise specified)

Symbol	Parameter	Test Conditions	Min.	Typ.	Max.	Unit
$V_o$	Output Voltage	$T_j = 25\text{ }^\circ\text{C}$	17.64	18	18.36	V
$V_o$	Output Voltage	$I_o = 5\text{ mA to }1\text{ A}$ $P_o \leq 15\text{ W}$ $V_i = 21\text{ to }33\text{ V}$	17.3	18	18.7	V
$\Delta V_o^*$	Line Regulation	$V_i = 21\text{ to }33\text{ V}$ $I_o = 500\text{ mA}$ $V_i = 24\text{ to }30\text{ V}$ $V_i = 24\text{ to }30\text{ V}$ $T_j = 25\text{ }^\circ\text{C}$ $V_i = 20.6\text{ to }33\text{ V}$ $T_j = 25\text{ }^\circ\text{C}$		25 28 10 5	180 180 90 180	mV mV mV mV
$\Delta V_o^*$	Load Regulation	$I_o = 5\text{ mA to }1\text{ A}$ $I_o = 5\text{ mA to }1.5\text{ A}$ $T_j = 25\text{ }^\circ\text{C}$ $I_o = 250\text{ to }750\text{ mA}$		25 30 10	100 100 50	mV mV mV
$I_d$	Quiescent Current	$T_j = 25\text{ }^\circ\text{C}$		4.5	6 6	mA
$\Delta I_d$	Quiescent Current Change	$V_i = 21\text{ to }33\text{ V}$ $I_o = 500\text{ mA}$ $V_i = 21\text{ to }33\text{ V}$ $T_j = 25\text{ }^\circ\text{C}$ $I_o = 5\text{ mA to }1\text{ A}$			0.8 0.8 0.5	mA mA mA
SVR	Supply Voltage Rejection	$V_i = 22\text{ to }32\text{ V}$ $f = 120\text{ Hz}$ $I_o = 500\text{ mA}$		57		dB
$V_d$	Dropout Voltage	$I_o = 1\text{ A}$ $T_j = 25\text{ }^\circ\text{C}$		2		V
$e_N$	Output Noise Voltage	$B = 10\text{ Hz to }100\text{ kHz}$ $T_j = 25\text{ }^\circ\text{C}$		10		$\mu\text{V}/V_o$
$R_o$	Output Resistance	$f = 1\text{ kHz}$		19		$\text{m}\Omega$
$I_{sc}$	Short Circuit Current	$V_i = 35\text{ V}$ $T_{amb} = 25\text{ }^\circ\text{C}$		0.2		A
$I_{scp}$	Short Circuit Peak Current	$T_j = 25\text{ }^\circ\text{C}$		2.2		A
$\frac{\Delta V_o}{\Delta T}$	Output Voltage Drift			-1		$\text{mV}/^\circ\text{C}$

\* Load and line regulation are specified at constant junction temperature. Changes in  $V_o$  due to heating effects must be taken into account separately. Pulse testing with low duty cycle is used.

## L7800AB/AC

**ELECTRICAL CHARACTERISTICS FOR L7820A** ( $V_i = 28V$ ,  $I_o = 1 A$ ,  $T_j = 0$  to  $125\text{ }^\circ\text{C}$  (L7820AC),  $T_j = -40$  to  $125\text{ }^\circ\text{C}$  (L7820AB) unless otherwise specified)

Symbol	Parameter	Test Conditions	Min.	Typ.	Max.	Unit
$V_o$	Output Voltage	$T_j = 25\text{ }^\circ\text{C}$	19.6	20	20.4	V
$V_o$	Output Voltage	$I_o = 5\text{ mA to }1\text{ A}$ $P_o \leq 15\text{ W}$ $V_i = 23\text{ to }35\text{ V}$	19.2	20	20.8	V
$\Delta V_o^*$	Line Regulation	$V_i = 23\text{ to }35\text{ V}$ $I_o = 500\text{ mA}$ $V_i = 26\text{ to }32\text{ V}$ $V_i = 26\text{ to }32\text{ V}$ $T_j = 25\text{ }^\circ\text{C}$ $V_i = 23\text{ to }32\text{ V}$ $T_j = 25\text{ }^\circ\text{C}$			200 200 100 200	mV mV mV mV
$\Delta V_o^*$	Load Regulation	$I_o = 5\text{ mA to }1\text{ A}$ $I_o = 5\text{ mA to }1.5\text{ A}$ $T_j = 25\text{ }^\circ\text{C}$ $I_o = 250\text{ to }750\text{ mA}$		25 30 10	100 100 50	mV mV mV
$I_d$	Quiescent Current	$T_j = 25\text{ }^\circ\text{C}$		4.5	6 6	mA
$\Delta I_d$	Quiescent Current Change	$V_i = 23\text{ to }35\text{ V}$ $I_o = 500\text{ mA}$ $V_i = 23\text{ to }35\text{ V}$ $T_j = 25\text{ }^\circ\text{C}$ $I_o = 5\text{ mA to }1\text{ A}$			0.8 0.8 0.5	mA mA mA
SVR	Supply Voltage Rejection	$V_i = 24\text{ to }35\text{ V}$ $f = 120\text{ Hz}$ $I_o = 500\text{ mA}$		56		dB
$V_d$	Dropout Voltage	$I_o = 1\text{ A}$ $T_j = 25\text{ }^\circ\text{C}$		2		V
$e_N$	Output Noise Voltage	$B = 10\text{ Hz to }100\text{ kHz}$ $T_j = 25\text{ }^\circ\text{C}$		10		$\mu\text{V}/V_o$
$R_o$	Output Resistance	$f = 1\text{ kHz}$		20		$\text{m}\Omega$
$I_{sc}$	Short Circuit Current	$V_i = 35\text{ V}$ $T_{amb} = 25\text{ }^\circ\text{C}$		0.2		A
$I_{scp}$	Short Circuit Peak Current	$T_j = 25\text{ }^\circ\text{C}$		2.2		A
$\frac{\Delta V_o}{\Delta T}$	Output Voltage Drift			-1		$\text{mV}/^\circ\text{C}$

\* Load and line regulation are specified at constant junction temperature. Changes in  $V_o$  due to heating effects must be taken into account separately. Pulse testing with low duty cycle is used.

**ELECTRICAL CHARACTERISTICS FOR L7824A** ( $V_i = 33\text{V}$ ,  $I_o = 1\text{ A}$ ,  $T_j = 0\text{ to }125\text{ }^\circ\text{C}$  (L7824AC),  
 $T_j = -40\text{ to }125\text{ }^\circ\text{C}$  (L7824AB) unless otherwise specified)

Symbol	Parameter	Test Conditions	Min.	Typ.	Max.	Unit
$V_o$	Output Voltage	$T_j = 25\text{ }^\circ\text{C}$	23.5	24	24.5	V
$V_o$	Output Voltage	$I_o = 5\text{ mA to }1\text{ A}$ $P_o \leq 15\text{ W}$ $V_i = 27.3\text{ to }38\text{ V}$	23	24	25	V
$\Delta V_o^*$	Line Regulation	$V_i = 27\text{ to }38\text{ V}$ $I_o = 500\text{ mA}$		31	240	mV
		$V_i = 30\text{ to }36\text{ V}$		35	240	mV
		$V_i = 30\text{ to }36\text{ V}$ $T_j = 25\text{ }^\circ\text{C}$		14	120	mV
		$V_i = 26.7\text{ to }38\text{ V}$ $T_j = 25\text{ }^\circ\text{C}$		31	240	mV
$\Delta V_o^*$	Load Regulation	$I_o = 5\text{ mA to }1\text{ A}$		25	100	mV
		$I_o = 5\text{ mA to }1.5\text{ A}$ $T_j = 25\text{ }^\circ\text{C}$		30	100	mV
		$I_o = 250\text{ to }750\text{ mA}$		10	50	mV
$I_d$	Quiescent Current	$T_j = 25\text{ }^\circ\text{C}$		4.6	6 6	mA
$\Delta I_d$	Quiescent Current Change	$V_i = 27.3\text{ to }38\text{ V}$ $I_o = 500\text{ mA}$			0.8	mA
		$V_i = 27.3\text{ to }38\text{ V}$ $T_j = 25\text{ }^\circ\text{C}$			0.8	mA
		$I_o = 5\text{ mA to }1\text{ A}$			0.5	mA
SVR	Supply Voltage Rejection	$V_i = 28\text{ to }38\text{ V}$ $f = 120\text{ Hz}$ $I_o = 500\text{ mA}$		54		dB
$V_d$	Dropout Voltage	$I_o = 1\text{ A}$ $T_j = 25\text{ }^\circ\text{C}$		2		V
$e_N$	Output Noise Voltage	$B = 10\text{ Hz to }100\text{ kHz}$ $T_j = 25\text{ }^\circ\text{C}$		10		$\mu\text{V}/V_o$
$R_o$	Output Resistance	$f = 1\text{ kHz}$		20		$\text{m}\Omega$
$I_{sc}$	Short Circuit Current	$V_i = 35\text{ V}$ $T_{amb} = 25\text{ }^\circ\text{C}$		0.2		A
$I_{scp}$	Short Circuit Peak Current	$T_j = 25\text{ }^\circ\text{C}$		2.2		A
$\frac{\Delta V_o}{\Delta T}$	Output Voltage Drift			-1.5		$\text{mV}/^\circ\text{C}$

\* Load and line regulation are specified at constant junction temperature. Changes in  $V_o$  due to heating effects must be taken into account separately. Pulse testing with low duty cycle is used.

APPLICATIONS INFORMATION

DESIGN CONSIDERATIONS

The L7800A Series of fixed voltage regulators are designed with Thermal Overload Protection that shuts down the circuit when subjected to an excessive power overload condition, Internal Short-circuit Protection that limits the maximum current the circuit will pass, and Output Transistor Safe-Area Compensation that reduces the output short-circuit current as the voltage across the pass transistor is increased.

In many low current applications, compensation capacitors are not required. However, it is recommended that the regulator input be bypassed with a capacitor if the regulator is

connected to the power supply filter with long wire lengths, or if the output load capacitance is large. An input bypass capacitor should be selected to provide good high-frequency characteristics to insure stable operation under all load conditions. A 0.33µF or larger tantalum, mylar, or other capacitor having low internal impedance at high frequencies should be chosen. The bypass capacitor should be mounted with the shortest possible leads directly across the regulators input terminals. Normally good construction techniques should be used to minimize ground loops and lead resistance drops since the regulator has no external sense lead.

Figure 4 : Current Regulator.

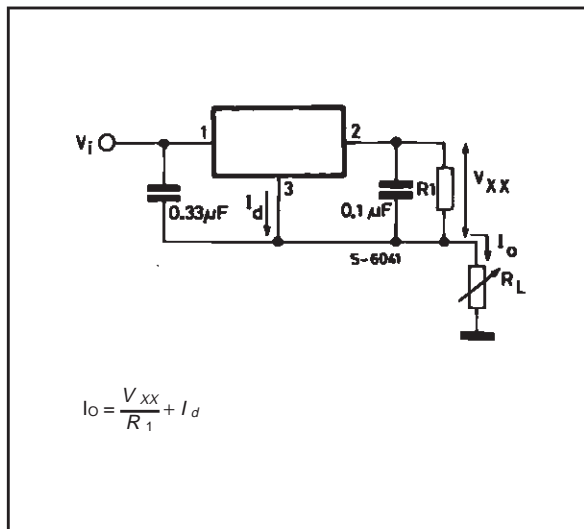
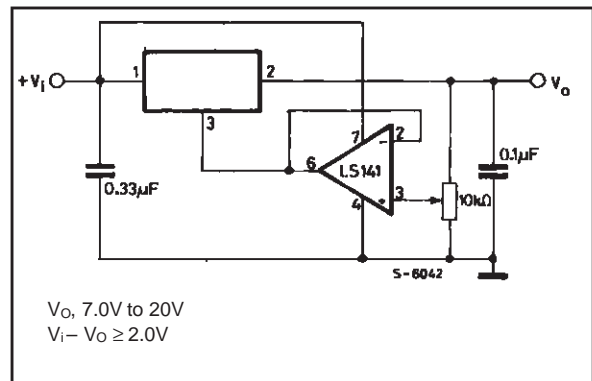


Figure 5 : Adjustable Output Regulator.



The addition of an operational amplifier allows adjustment to higher or intermediate values while retaining regulation characteristics. The minimum voltage obtainable with this arrangement is 2.0V greater than the regulator voltage.

Figure 6 : Current Boost Regulator.

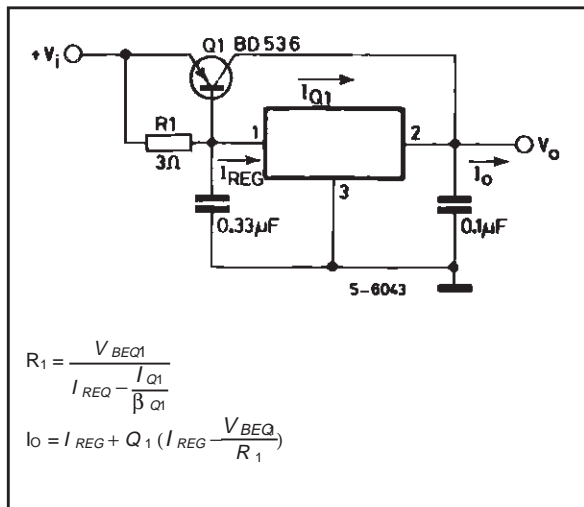
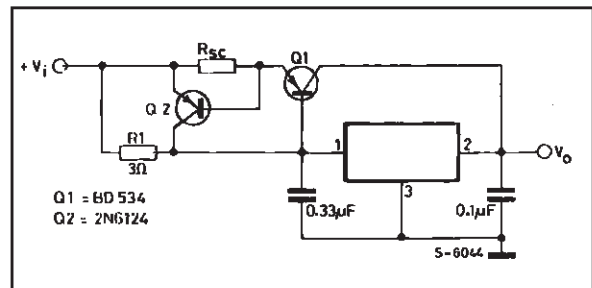


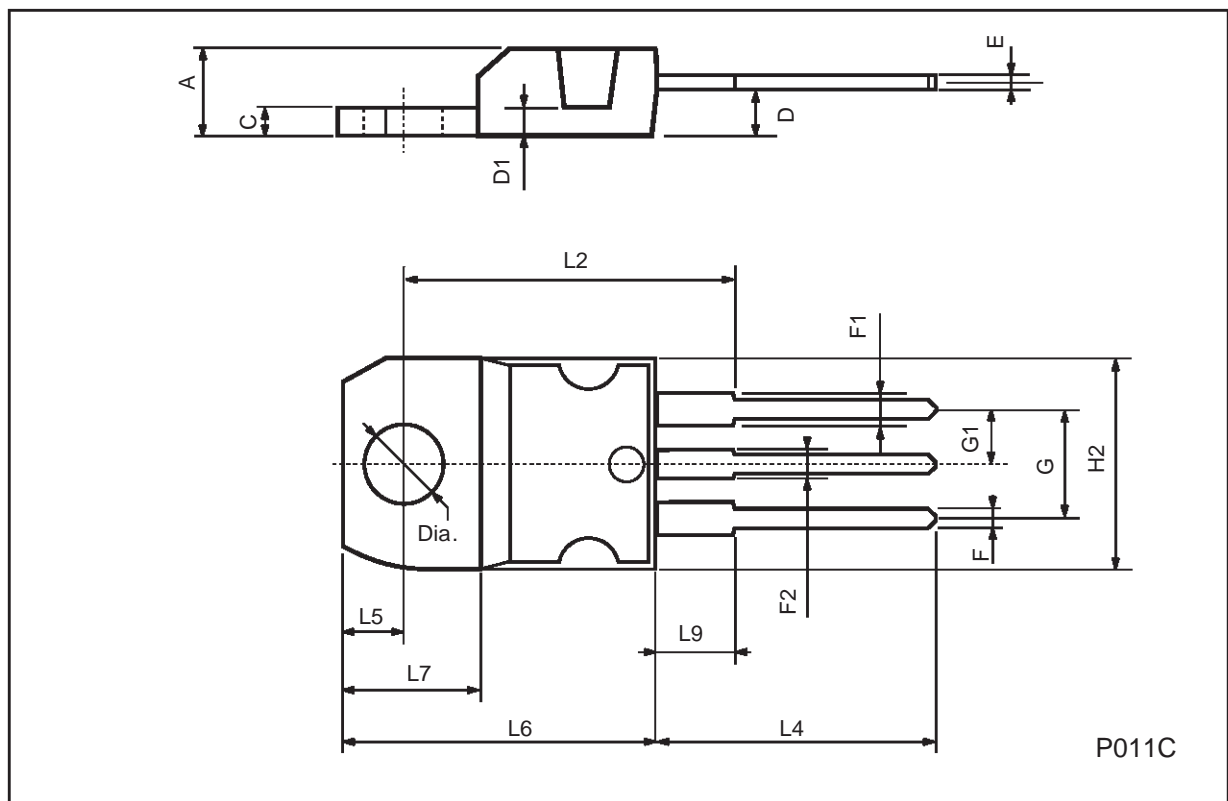
Figure 7 : Short-circuit Protection.



The circuit of figure 6 can be modified to provide supply protection against short circuit by adding a short-circuit sense resistor,  $R_{sc}$ , and an additional PNP transistor. The current sensing PNP must be able to handle the short-circuit current of the three-terminal regulator. Therefore, a four-ampere plastic power transistor is specified.

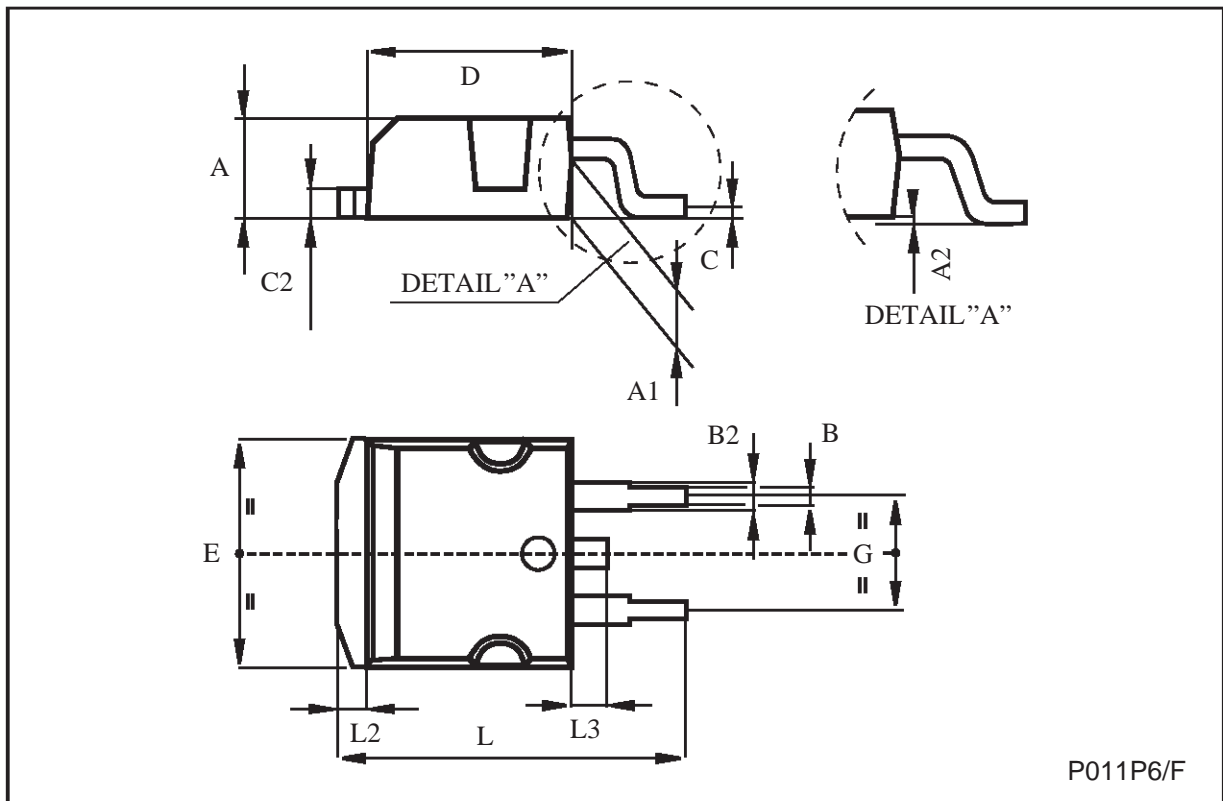
## TO-220 MECHANICAL DATA

DIM.	mm			inch		
	MIN.	TYP.	MAX.	MIN.	TYP.	MAX.
A	4.40		4.60	0.173		0.181
C	1.23		1.32	0.048		0.051
D	2.40		2.72	0.094		0.107
D1		1.27			0.050	
E	0.49		0.70	0.019		0.027
F	0.61		0.88	0.024		0.034
F1	1.14		1.70	0.044		0.067
F2	1.14		1.70	0.044		0.067
G	4.95		5.15	0.194		0.203
G1	2.4		2.7	0.094		0.106
H2	10.0		10.40	0.393		0.409
L2		16.4			0.645	
L4	13.0		14.0	0.511		0.551
L5	2.65		2.95	0.104		0.116
L6	15.25		15.75	0.600		0.620
L7	6.2		6.6	0.244		0.260
L9	3.5		3.93	0.137		0.154
DIA.	3.75		3.85	0.147		0.151



TO-263 (D<sup>2</sup>PAK) MECHANICAL DATA

DIM.	mm			inch		
	MIN.	TYP.	MAX.	MIN.	TYP.	MAX.
A	4.4		4.6	0.173		0.181
A1	2.49		2.69	0.098		0.106
B	0.7		0.93	0.027		0.036
B2	1.14		1.7	0.044		0.067
C	0.45		0.6	0.017		0.023
C2	1.23		1.36	0.048		0.053
D	8.95		9.35	0.352		0.368
E	10		10.4	0.393		0.409
G	4.88		5.28	0.192		0.208
L	15		15.85	0.590		0.624
L2	1.27		1.4	0.050		0.055
L3	1.4		1.75	0.055		0.068





Information furnished is believed to be accurate and reliable. However, STMicroelectronics assumes no responsibility for the consequences of use of such information nor for any infringement of patents or other rights of third parties which may result from its use. No license is granted by implication or otherwise under any patent or patent rights of STMicroelectronics. Specification mentioned in this publication are subject to change without notice. This publication supersedes and replaces all information previously supplied. STMicroelectronics products are not authorized for use as critical components in life support devices or systems without express written approval of STMicroelectronics.

The ST logo is a registered trademark of STMicroelectronics

© 1999 STMicroelectronics – Printed in Italy – All Rights Reserved

STMicroelectronics GROUP OF COMPANIES

Australia - Brazil - China - Finland - France - Germany - Hong Kong - India - Italy - Japan - Malaysia - Malta - Morocco  
Singapore - Spain - Sweden - Switzerland - United Kingdom - U.S.A.

<http://www.st.com>