

ZXSC310

LED DRIVER SOLUTION FOR LCD BACKLIGHTING

DEVICE DESCRIPTION

The ZXSC310 is a single or multi cell LED driver designed for LCD backlighting applications. The input voltage range of the device is between 0.8V and 8V. This means the ZXSC310 is compatible with single NiMH, NiCd or Alkaline cells, as well as multi-cell or Lilon batteries.

The device features a shutdown control, resulting in a standby current less than 5 μ A, and an output capable of driving serial or parallel LED's. The circuit generates constant power output, which are ideal for driving single or multiple LED's over a wide range of operating voltages. These features make the device ideal for driving LED's particularly in LCD backlight applications for Digital Still cameras and PDA's.

FEATURES

- 94% efficiency
- Minimum operating input voltage 0.8V
- Maximum operating input voltage 8V
- Standby current less than 5 μ A
- Programmable output current
- Series or parallel LED configuration
- Low saturation voltage switching transistor
- SOT23-5 package

APPLICATIONS

- LCD backlights:
 - Digital still camera
 - PDA
 - Mobile phone
- LED flashlights and torches
- White LED driving
- Multiple LED driving

ORDERING INFORMATION

DEVICE	REEL SIZE	TAPE WIDTH	QUANTITY PER REEL
ZXSC310E5TA	180mm	8mm	3000

DEVICE MARKINGS

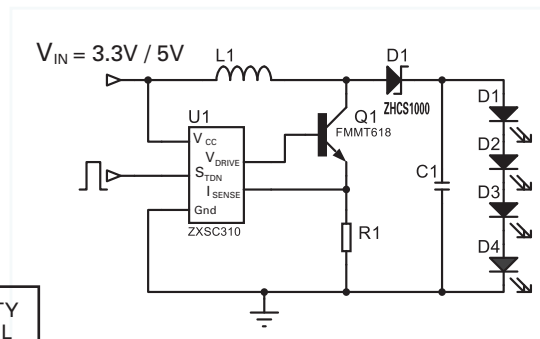
- C310
- Package SOT23-5

The ZXSC310 is a PFM DC-DC controller IC that drives an external Zetex switching transistor with a very low saturation resistance. These transistors are the best switching devices available for this type of conversion enabling high efficiency conversion with low input voltages. The drive output of the ZXSC310 LED driver generates a dynamic drive signal for the switching transistor.

The circuit can start up under full load and operates down to an input voltage of 0.8 volts. The solution configuration ensures optimum efficiency over a wider range of load currents; several circuit configurations are possible depending on battery life versus brightness considerations.

The ZXSC310 is offered in the SOT23-5 package which, when combined with a SOT23 switching transistor, generates a high efficiency small size circuit solution. The IC and discrete combination offers the ultimate cost Vs performance solution for LED backlight applications.

TYPICAL APPLICATIONS CIRCUIT



ZXSC310

ABSOLUTE MAXIMUM RATINGS:

Supply Voltage	-0.3 to 10V
Maximum Voltage other pins	-0.3 to $V_{CC}+0.3V$
Power Dissipation	450mW
Operating Temperature	-40 to 85 °C
Storage Temperature	-55 to 150°C

ELECTRICAL CHARACTERISTICS:

Test conditions unless otherwise stated: $V_{CC}=1.5V$, $T_{AMB}=25^{\circ}C$

Symbol	Parameter	Conditions	Min	Typ	Max	Units
η	Efficiency ⁽¹⁾				94	%
V_{CC}	Recommended supply voltage range		0.8		8	V
$V_{CC(min)}$	Minimum startup and operating voltage	$I_{DRIVE}=-600\mu A$, $V_{DRIVE}=0.7V$ $I_{DRIVE}=-600\mu A$, $V_{DRIVE}=0.7V$, $T_{AMB}=-10^{\circ}C$ ⁽³⁾		0.8 0.9	0.92	V
I_Q	Quiescent current ⁽²⁾	$V_{EN} = V_{CC}$ (enabled) $V_{EN} = 0V$ (standby)		0.2 5	10	mA μA
I_{VDRIVE}	Base drive current	$V_{DRIVE} = 0.7V$, $V_{ISENSE} = 0V$	1.5		3.5	mA
I_{CC}	Supply current ⁽³⁾	$V_{DRIVE} = 0.7V$, $V_{ISENSE} = 0V$	2		4	mA
$V_{VDRIVE(high)}$	High level drive voltage	$V_{ISENSE} = 0V$, $I_{VDRIVE} = -0.5mA$	V_{CC} -0.3		V_{CC}	V
$V_{VDRIVE(low)}$	Low level drive voltage	$V_{ISENSE} = 50mV$, $I_{VDRIVE} = 5mA$	0		0.2	V
$V_{STDN(high)}$	Device enabled		0.7			V
$V_{STDN(low)}$	Device in standby mode				0.15	V
I_{STDN}	Enable input current		-1		1	μA
V_{ISENSE} (threshold)	Output current reference voltage		14	19	24	mV
$T_{CVISENSE}$	I_{SENSE} voltage temp co. ⁽²⁾			0.4		%/ $^{\circ}C$
I_{ISENSE}	I_{SENSE} input current	$V_{ISENSE} = 0V$	0	-30	-65	μA
T_{DRV}	Discharge Pulse Width		1.2	1.7	3.2	μs

OPERATING CONDITIONS

Symbol	Parameter	Conditions	Min	Typ	Max	Units
F_{OSC}	Recommended operating frequency ⁽⁴⁾				200	kHz

(1) Application dependent, see reference designs

(2) These parameters guaranteed by Design and characteristics

(3) Total supply current = $I_Q + I_{VDRIVE}$, see typical characteristics

(4) Operating frequency is application circuit dependent. See applications section.

ZXSC310

FMMT618

For the circuits described in the applications section Zetex FMMT618 is the recommended pass transistor. The following indicates outline data for the device, more detailed information can be found at www.zetex.com/fmmt618

ELECTRICAL CHARACTERISTICS:

Test conditions unless otherwise stated: $T_{AMB}=25^{\circ}C$

Symbol	Parameter	Conditions	Min	Typ	Max	Units
$V_{CE(sat)}$	Collector-Emitter Saturation Voltage ⁵	$I_C=0.1A, I_B=10mA$		8	15	mV
		$I_C=1A, I_B=10mA$		70	150	
		$I_C=2.5A, I_B=50mA$		130	200	
$V_{(BR)CEO}$	Collector-Emitter Breakdown Voltage ⁵	$I_C=10mA$	20	27		V

⁵ Measured under pulse conditions. Pulse width=300 μ s. Duty cycle \leq 2%

ZHCS1000

For the maximum brightness circuit described in the applications section Zetex ZHCS1000 is the recommended Schottky diode. The following indicates outline data for the ZHCS, more detailed information can be found at www.zetex.com/zhcs1000

ELECTRICAL CHARACTERISTICS:

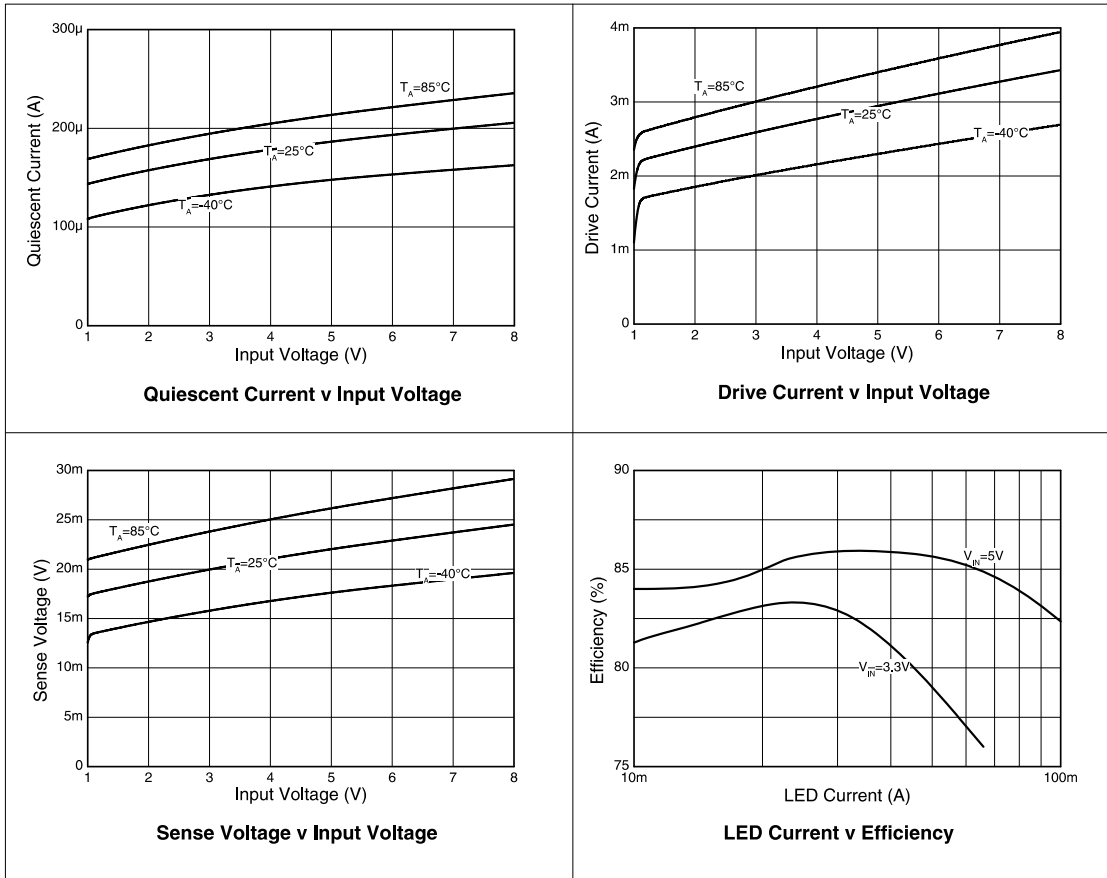
Test conditions unless otherwise stated: $T_{AMB}=25^{\circ}C$

Symbol	Parameter	Conditions	Min	Typ	Max	Units
V_F	Forward voltage	$I_F = 500mA$ $I_F = 1A$			400 500	mV
t_{rr}	Reverse Recovery Time	Switched from $I_F=500mA$ to $I_R=500mA$. Measured at $I_R=50mA$		12		ns
I_R	Reverse Current	$V_R = 30V$		50	100	μ A

Part Number	V_R	I_F	I_{FSM}	V_F at		I_R at		Capacitance at $V_R = 25V, f = 1MHz$	Package
	Max. V	Max. mA	Max. A	Max. mV	I_F mA	Max. μ A	V_R V	Typ. pF	
BAT54	30	200	0.6	500	30	250	25	10	SOT23-6
ZHCS2000	40	2000	20	500	2000	1000	30	60	SOT23
ZHCS1000	40	1000	12	500	1000	100	30	25	SOT23
ZHCS750	40	750	12	540	750	100	30	25	SOT23
ZHCS500	40	500	6.75	550	500	40	30	20	SOT23
ZHCS400	40	400	6.75	500	400	40	30	20	SOT323

ZXSC310

TYPICAL CHARACTERISTICS



ZXSC310

DEVICE DESCRIPTION

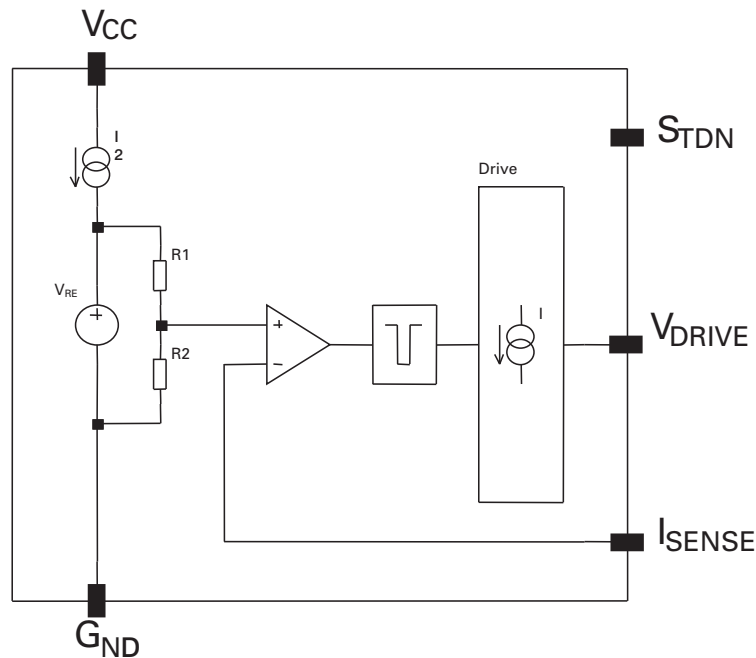
The ZXSC310 is PFM, controller IC which, when combined with a high performance external transistor, enables the production of a high efficiency boost converter for LED driving applications. A block diagram is shown for the ZXSC310 below.

The on chip comparator forces the driver circuit and therefore the external switching transistor off if the voltage at I_{SENSE} exceeds 19mV. An internal reference circuit and divider set this threshold.

The voltage at I_{SENSE} is taken from a current sense resistor connected in series with the emitter of the switching transistor. A monostable following the output of the comparator forces the turn-off time of the output stage to be typically 1.7us. This ensures that there is sufficient time to discharge the inductor coil before the next on period.

With every on pulse the switching transistor is kept on until the voltage across the current-sense resistor exceeds the threshold of the I_{SENSE} input. The on-pulse length, and therefore the switching frequency, is determined by the programmed peak current, the input voltage and the input to output voltage differential. See applications section for details.

The driver circuit supplies the external switching transistor with a fixed drive current. To maximise efficiency the external transistor switched quickly, typically being forced off within 30ns.



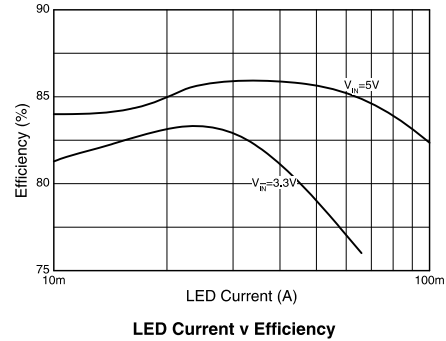
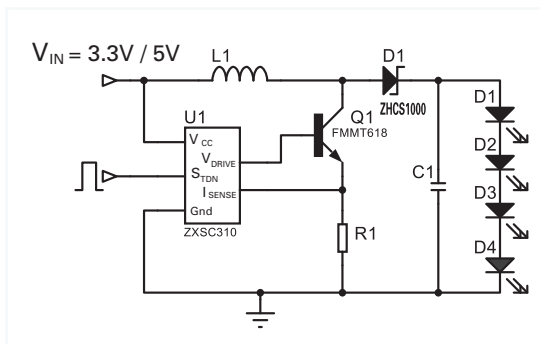
ZXSC310 Block Diagram

ZXSC310

REFERENCE DESIGNS

Three typical LED driving applications are shown. Firstly a typical LCD backlight circuit, then maximum brightness LED driving solution and lastly an optimised battery life LED driving solution.

LCD backlight circuit



(Notes)

This application shows the ZXSC310 in a typical LCD backlight application for Digital Still Cameras and PDA's. The input voltage for these backlight circuits are usually fixed from the main system power, typically 3.3V or 5V. The LED's are connected serially so that the light is distributed uniformly in each LED. The current provided to the LED's can either be pulsed or DC. The DC current is programmable via a sense resistor, R_{SENSE}, and is set to an optimum LED current of 20mA for the reference designs. DC current is achieved by adding a Schottky rectifying diode and an output capacitor, as shown in the reference design below.

Materials list

Ref	Value	Part Number	Manufacture	Comments
U1	N/A	ZXSC310E5	Zetex Semiconductors	Single cell converter, SOT23-5
Q1	N/A	FMMT618	Zetex Semiconductors	Low V _{CE(sat)} NPN, SOT23
D1	N/A	ZHCS1000	Zetex Semiconductors	1A Schottky diode, SOT23
C1	2.2μF	Generic	Various	0805 Size
R1 ⁽⁶⁾	150mΩ	Generic	Various	1206 Size
R1 ⁽⁷⁾	250mΩ	Generic	Various	1206 Size
L1 ⁽⁸⁾	68μH			Surface mount inductor

⁽⁶⁾ Used for 3.3V input, I_{LED} set to 20mA ± 10%.

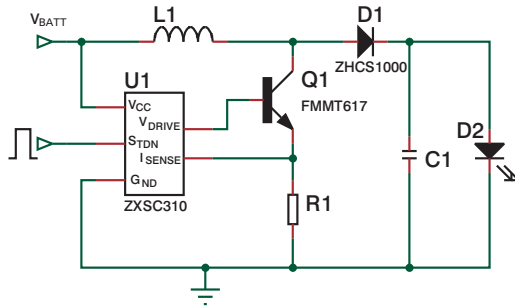
⁽⁷⁾ Used for 5V input, I_{LED} to 20mA ± 10%.

⁽⁸⁾ See Application section.

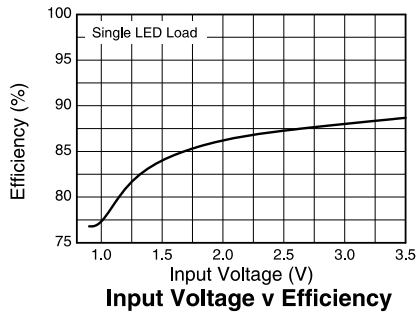
ZXSC310

Maximum brightness solution

(Notes)



This circuit provides a continuous current output to the LED by rectifying and buffering the DC-DC output. This ensures maximum LED brightness.



Materials list

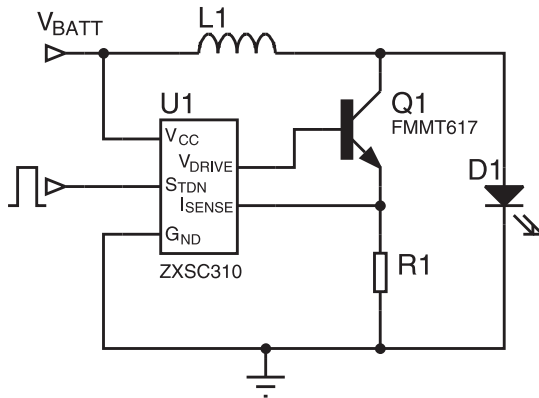
Ref	Value	Part Number	Manufacturer	Comments
U1	N/A	ZXSC310E5	Zetex Plc	Single cell converter, SOT23-5
Q1	N/A	FM6T617	Zetex Plc	Low $V_{CE(sat)}$ NPN, SOT23
D1	1A	ZHCS1000	Zetex Plc	1A Schottky diode, SOT23
R1	100m Ω	Generic	Various	0805 Size
C1	2.2 μ F	Generic	Various	Low ESR ceramic capacitor
L1	100 μ H ⁽⁸⁾			Surface mount inductor

⁽⁸⁾ See Application section.

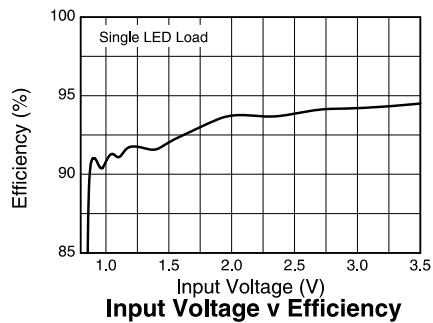
ZXSC310

(Notes)

Maximum battery life solution



To ensure optimum efficiency, and therefore maximum battery life, the LED is supplied with a pulsed current. Maximum efficiency is ensured with the removal of rectifier losses experienced in the maximum brightness solution.



Materials list

Ref	Value	Part Number	Manufacturer	Comments
U1	N/A	ZXSC310E5	Zetex Semiconductors	Single cell converter, SOT23-5
Q1	N/A	FMMT617	Zetex Semiconductors	Low $V_{CE(sat)}$ NPN, SOT23
R1	330m Ω	Generic	Various	0805 Size
L1	100 μ H ⁽⁸⁾			Surface mount inductor

⁽⁸⁾ See Application section.

ZXSC310

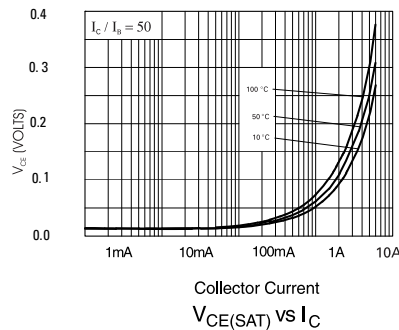
APPLICATIONS INFORMATION

The following section is a design guide for optimum converter performance.

Switching transistor selection

The choice of switching transistor has a major impact on the converter efficiency. For optimum performance, a bipolar transistor with low $V_{CE(SAT)}$ and high gain is required.

The Zetex FMMT618 is an ideal choice of transistor, having a low saturation voltage. A data sheet for the FMMT618 is available on Zetex web site or through your local Zetex sales office. Outline information is included in the characteristics section of this data sheet.



Schottky diode selection

For the maximum battery life solution a Schottky rectifier diode is not required. As with the switching transistor the Schottky rectifier diode has a major impact on the converter efficiency. A Schottky diode with a low forward voltage and fast recovery time should be used for this application.

The diode should be selected so that the maximum forward current is greater or equal to the maximum peak current in the inductor, and the maximum reverse voltage is greater or equal to the output voltage.

The Zetex ZHCS1000 meets these needs. Datasheets for the ZHCS Series are available on Zetex web site or through your local Zetex sales office. Outline information is included in the characteristics section of this data sheet.

For the maximum brightness solution a pulsed current is supplied to the LED and thus a Schottky rectifier diode is required.

Inductor selection

The inductor value must be chosen to satisfy performance, cost and size requirements of the overall solution. For the LCD backlight reference design we recommend an inductor value of 68 μ H with a core saturation current rating greater than the converter peak current value and low series resistance.

Inductor selection has a significant impact on the converter performance. For applications where efficiency is critical, an inductor with a series resistance of 500m Ω or less should be used.

A list of recommended inductors is shown in the table below:

Part No.	Manufacture	L	I_{PK}	R_{DC}
DO1608C-683	Coilcraft	68 μ H	0.4A	0.86 Ω
CR54-680	Sumida	68 μ H	0.61A	0.46 Ω
P1174.683	Pulse	68 μ H	0.4A	0.37 Ω
SFOP5845-R61680	Samwha	68 μ H	0.61A	0.46 Ω
SIS43-680	Delta	68 μ H	0.4	1.125 Ω

ZXSC310

Peak current definition

The peak current rating is a design parameter whose value is dependent upon the overall application. For the high brightness reference designs, a peak current of 190mA was chosen to ensure that the converter could provide the required output power to the LED.

In general, the I_{PK} value must be chosen to ensure that the switching transistor, Q1, is in full saturation with maximum output power conditions, assuming worst-case input voltage and transistor gain under all operating temperature extremes.

Once I_{PK} is decided the value of R_{SENSE} can be determined by:

$$R_{SENSE} = \frac{V_{ISENSE}}{I_{PK}}$$

A selection guide of sense resistor and inductor values for given input voltages, output currents and number of LED connected in series is provided in the table below.

Input Voltage (V)	LED current (mA)	No. of LED's	R_{SENSE} (mΩ)	Inductor (μH)	Efficiency (%)
3.3V	10	3	510	68	80
3.3V	10	4	330	68	81
3.3V	10	6	150	68	79
3.3V	20	3	220	68	84
3.3V	20	4	150	68	93
3.3V	20	6	77	68	79
3.3V	30	3	170	68	84
3.3V	30	4	100	68	84
3.3V	30	6	47	68	77
5V	10	3	750	68	83
5V	10	4	510	68	84
5V	10	6	330	68	79
5V	20	3	440	68	85
5V	20	4	250	68	85
5V	20	6	150	68	82
5V	30	3	330	68	86
5V	30	4	170	68	85
5V	30	6	100	68	83

ZXSC310

Output Power Calculation

By making the above assumptions for inductance and peak current the output power can be determined by:

$$P_{OUT} = (V_{OUT} - V_{IN}) \times I_{AV} \times \frac{T_{OFF}}{T_{ON} + T_{OFF}}$$

Note: V_{OUT} = output voltage + Schottky rectifier voltage drop.

Where

$T_{OFF} \cong 1.7 \mu s$ (internally set by ZXSC310)

and

$$T_{ON} = \frac{T_{OFF}(V_{OUT} - V_{IN})}{V_{IN}}$$

and

$$I_{AV} = \frac{I_{PK} + I_{MIN}}{2}$$

Where

$$I_{MIN} = I_{PK} - \frac{(V_{OUT} - V_{IN}) \times T_{OFF}}{L}$$

Operating frequency can be derived by:

$$F = \frac{1}{(T_{ON} + T_{OFF})}$$

Capacitor selection

For pulsed operation, as in the maximum battery life solution, no capacitors are required at the output to the LED. For rectified operation, as in the maximum brightness solution, a small value ceramic capacitor is required, typically 2.2 μF .

Generally an input capacitor is not required, but a small ceramic capacitor may be added to aid EMC, typically 470nF to 1 μF .

(notes)

ZXSC310

Shutdown Control

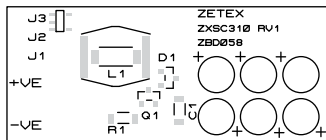
The ZXSC310 offers a shutdown mode that produces a standby current of less than 5uA when in operation. When the voltage at the S_{TDN} pin is 0.7V or higher the ZXSC310 is enabled, hence the driver is in normal operation. When the voltage at the S_{TDN} pin is 0.1V or lower the ZXSC310 is disabled, hence the driver is in shutdown mode. If the S_{TDN} pin is open circuit the ZXSC310 is also enabled.

Demonstration board

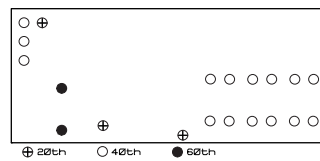
A demonstration board for the LCD backlighting solution, is available upon request. These can be obtained through your local Zetex office or through Zetex web pages. For all reference designs Gerber files and bill of materials can be supplied.

Layout of LCD backlighting solution

Top Silk



Drill File



Top Copper

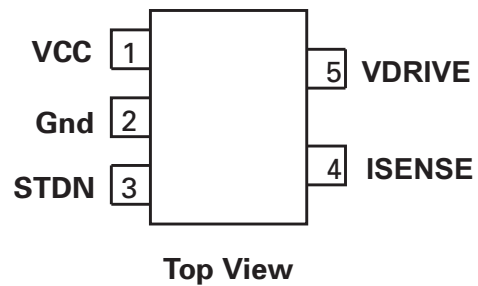


Bottom Copper



ZXSC310

PINOUT DIAGRAM



PIN DESCRIPTIONS

Pin No.	Name	Description
1	V_{CC}	Supply voltage, generally Alkaline, NiMH or NiCd single cell
2	G_{nd}	Ground
3	S_{TDN}	Shutdown
4	I_{SENSE}	Inductor current sense input. Internal threshold voltage set to 19mV. Connect external sense resistor
5	V_{DRIVE}	Drive output for external switching transistor. Connect to base of external switching transistor.

ZXSC310

(NOTES)

Definitions

Product change

Zetex Semiconductors reserves the right to alter, without notice, specifications, design, price or conditions of supply of any product or service. Customers are solely responsible for obtaining the latest relevant information before placing orders.

Applications disclaimer

The circuits in this design/application note are offered as design ideas. It is the responsibility of the user to ensure that the circuit is fit for the user's application and meets with the user's requirements. No representation or warranty is given and no liability whatsoever is assumed by Zetex with respect to the accuracy or use of such information, or infringement of patents or other intellectual property rights arising from such use or otherwise. Zetex does not assume any legal responsibility or will not be held legally liable (whether in contract, tort (including negligence), breach of statutory duty, restriction or otherwise) for any damages, loss of profit, business, contract, opportunity or consequential loss in the use of these circuit applications, under any circumstances.

Life support

Zetex products are specifically not authorized for use as critical components in life support devices or systems without the express written approval of the Chief Executive Officer of Zetex Semiconductors plc. As used herein:

A. Life support devices or systems are devices or systems which:

1. are intended to implant into the body
or
2. support or sustain life and whose failure to perform when properly used in accordance with instructions
for use provided in the labeling can be reasonably expected to result in significant injury to the user.

B. A critical component is any component in a life support device or system whose failure to perform can be reasonably expected to cause the failure of the life support device or to affect its safety or effectiveness.

Reproduction

The product specifications contained in this publication are issued to provide outline information only which (unless agreed by the company in writing) may not be used, applied or reproduced for any purpose or form part of any order or contract or be regarded as a representation relating to the products or services concerned.

Terms and Conditions

All products are sold subject to Zetex' terms and conditions of sale, and this disclaimer (save in the event of a conflict between the two when the terms of the contract shall prevail) according to region, supplied at the time of order acknowledgement.

For the latest information on technology, delivery terms and conditions and prices, please contact your nearest Zetex sales office.

Quality of product

Zetex is an ISO 9001 and TS16949 certified semiconductor manufacturer.

To ensure quality of service and products we strongly advise the purchase of parts directly from Zetex Semiconductors or one of our regionally authorized distributors. For a complete listing of authorized distributors please visit: www.zetex.com/salesnetwork

Zetex Semiconductors does not warrant or accept any liability whatsoever in respect of any parts purchased through unauthorized sales channels.

ESD (Electrostatic discharge)

Semiconductor devices are susceptible to damage by ESD. Suitable precautions should be taken when handling and transporting devices. The possible damage to devices depends on the circumstances of the handling and transporting, and the nature of the device. The extent of damage can vary from immediate functional or parametric malfunction to degradation of function or performance in use over time. Devices suspected of being affected should be replaced.

Green compliance

Zetex Semiconductors is committed to environmental excellence in all aspects of its operations which includes meeting or exceeding regulatory requirements with respect to the use of hazardous substances. Numerous successful programs have been implemented to reduce the use of hazardous substances and/or emissions.

All Zetex components are compliant with the RoHS directive, and through this it is supporting its customers in their compliance with WEEE and ELV directives.

Product status key:

"Preview" Future device intended for production at some point. Samples may be available

"Active" Product status recommended for new designs

"Last time buy (LTB)" Device will be discontinued and last time buy period and delivery is in effect

"Not recommended for new designs" Device is still in production to support existing designs and production

"Obsolete" Production has been discontinued

Datasheet status key:

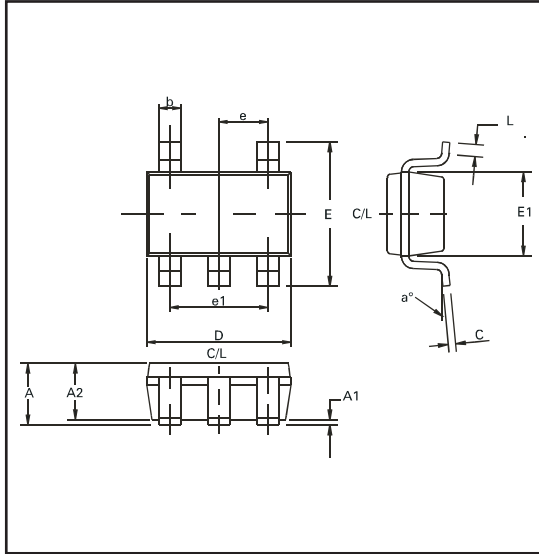
"Draft version" This term denotes a very early datasheet version and contains highly provisional information, which may change in any manner without notice.

"Provisional version" This term denotes a pre-release datasheet. It provides a clear indication of anticipated performance. However, changes to the test conditions and specifications may occur, at any time and without notice.

"Issue" This term denotes an issued datasheet containing finalized specifications. However, changes to specifications may occur, at any time and without notice.

ZXSC310

SOT23-5 PACKAGE OUTLINE



SOT23-5 PACKAGE DIMENSIONS

DIM	Millimeters		Inches	
	MIN	MAX	MIN	MAX
A	0.90	1.45	0.035	0.057
A1	0.00	0.15	0.00	0.006
A2	0.90	1.3	0.035	0.051
b	0.35	0.50	0.014	0.020
C	0.09	0.20	0.0035	0.008
D	2.80	3.00	0.110	0.118
E	2.60	3.00	0.102	0.118
E1	1.50	1.75	0.059	0.069
e	0.95 REF		0.037 REF	
e1	1.90 REF		0.075 REF	
L	0.10	0.60	0.004	0.024
a°	0	10	0	10

© Zetex Semiconductors plc 2007

Europe	Americas	Asia Pacific	Corporate Headquarters
Zetex GmbH Kustermannpark Balanstraße 59 D-81541 München Germany Telefon: (49) 89 45 49 49 0 Fax: (49) 89 45 49 49 49 europe.sales@zetex.com	Zetex Inc 700 Veterans Memorial Hwy Hauppauge, NY 11788 USA Telephone: (1) 631 360 2222 Fax: (1) 631 360 8222 usa.sales@zetex.com	Zetex (Asia) Ltd 3701-04 Metroplaza Tower 1 Hing Fong Road, Kwai Fong Hong Kong Telephone: (852) 26100 611 Fax: (852) 24250 494 asia.sales@zetex.com	Zetex Semiconductors plc Zetex Technology Park Chadderton, Oldham, OL9 9LL United Kingdom Telephone (44) 161 622 4444 Fax: (44) 161 622 4446 hq@zetex.com



ISSUE 3 - SEPTEMBER 2007