

BOM LIST			
ITEM	PART NAME	Q'ty	NOTES
1	METAL HOOD	2	
2	LONG BOLT	2	
3	NUT	2	
4	SCREW-1	2	M3*12
5	WASHER	2	
6	SCREW-2	2	M3*6
7	SHORT BOLT	2	

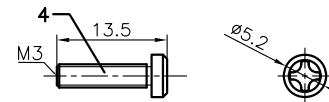
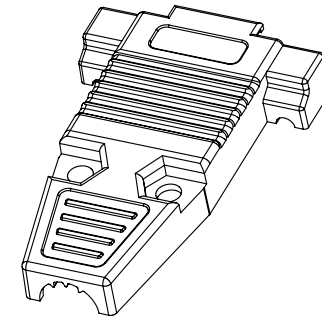
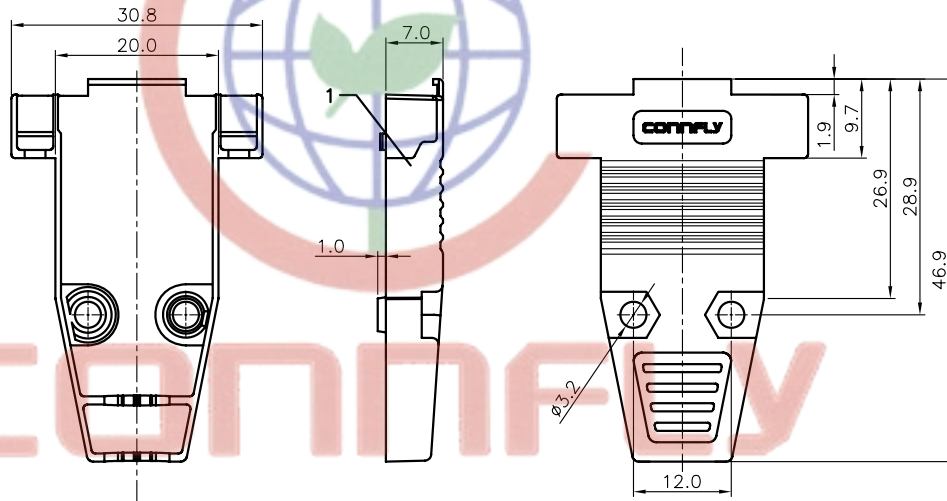
REV.	DESCRIPTION	DRAWN	CHECKED	APPROVED
A	NEW RELEASE	LJC 03/02/07'		

NOTES:

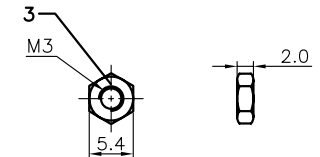
1. PART NUMBER CODE:

DS1047 - 09 X X X

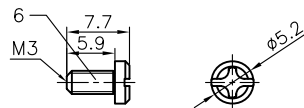
- Bolt type
 - L: Long
 - S: Short
- Packing type
 - 1: Mix packing
 - 2: Separation packing
- Cover Material
 - M: Metal(Zinc alloy)
- Positions
 - 09: 9pin



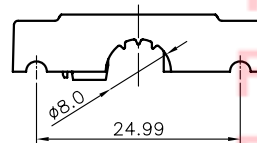
SCREW-1



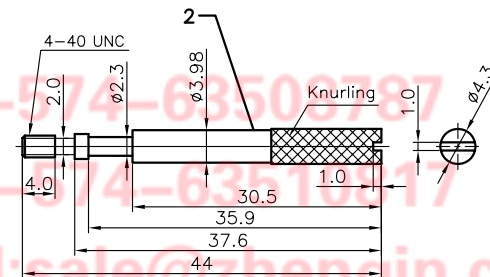
NUT



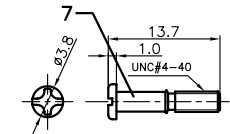
SCREW-2



Washer



Long BOLT



Short BOLT

GENERAL TOLERANCE		ANGLE TOLERANCE		PROJECTION	TITLE
X.	± 0.60	X.	$\pm 5^\circ$		D-SUB 9pin Metal Hood
.X	± 0.38	.X	$\pm 3^\circ$	mm	
.XX	± 0.25	.XX	$\pm 2^\circ$		
DRAWING TYPE	CUSTOMER		SHEET	1 OF 1	
SCALE	1:1				
DRAWING NO.	C-DS1047-09XXX				
				SHEET SIZE A4	
				SERIES DS1047 SERIES	



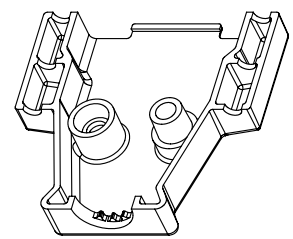
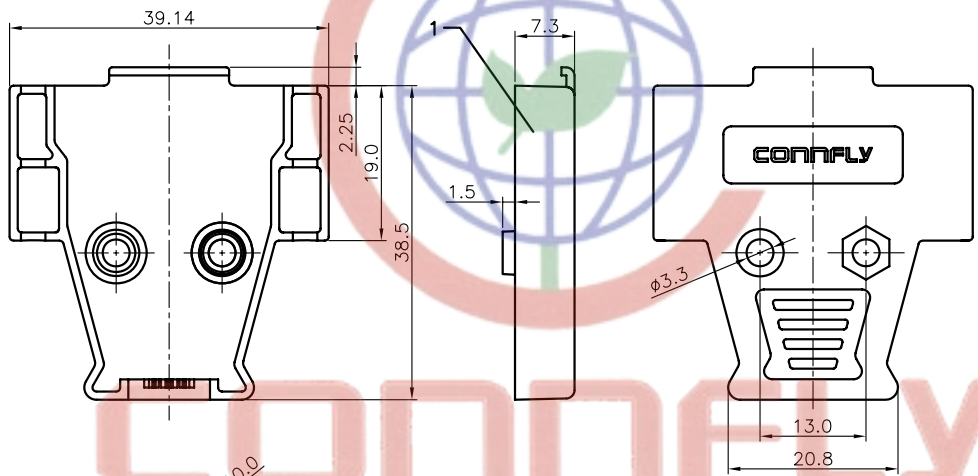
晨翔电子有限公司

CONNFLY CONNFLY ELECTRONIC CO., LTD

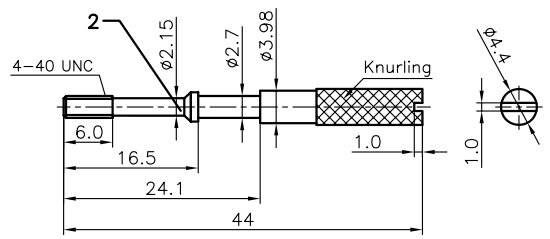
Tel:86-574-63503787
 Fax:86-574-63510417
 E-mail:sale@zhengqin.com.cn
 Http://www.connfly.com

BOM LIST			
ITEM	PART NAME	Q'ty	NOTES
1	METAL HOOD	2	
2	BOLT	2	
3	NUT	2	
4	SCREW-1	2	M3*12
5	WASHER	2	
6	SCREW-2	2	M3*6
7	SR	1	

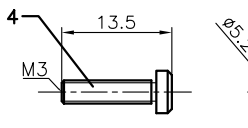
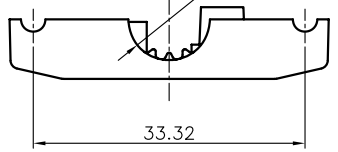
REV.	DESCRIPTION	DRAWN	CHECKED	APPROVED
A	NEW RELEASE	LJC 03/02/07'		



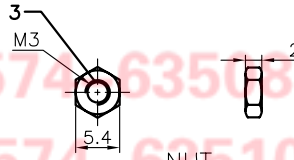
NOTES:
 1. PART NUMBER CODE:
 DS1047 - 15 X X X
 Bolt type
 L: Long
 Packing type
 1: Mix packing
 2: Separation packing
 Cover Material
 M: Metal(Zinc alloy)
 Positions
 15: 15pin



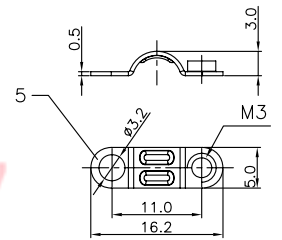
BOLT



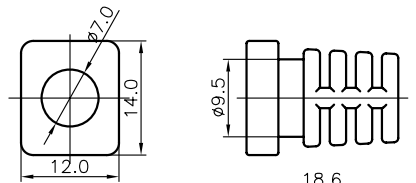
SCREW-1



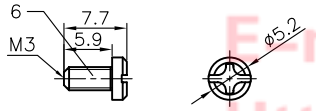
NUT



Washer



SR



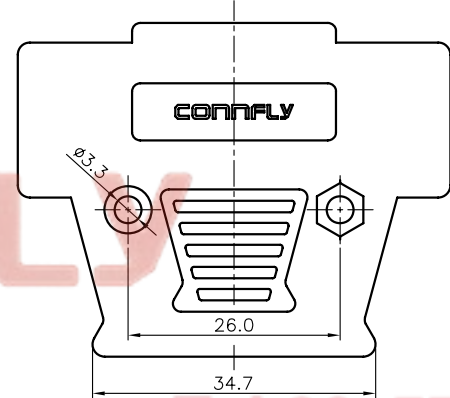
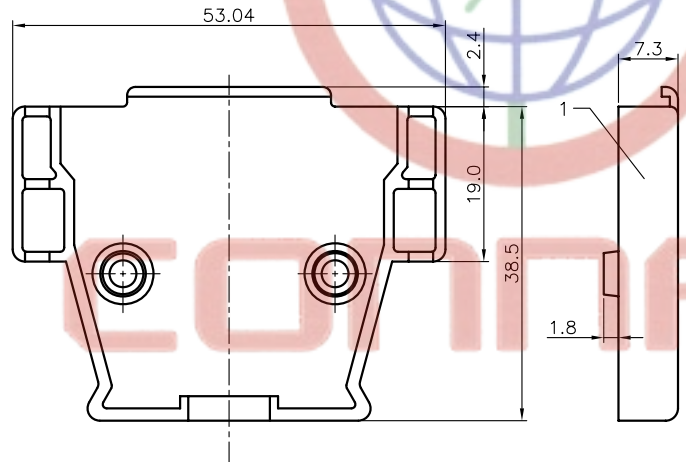
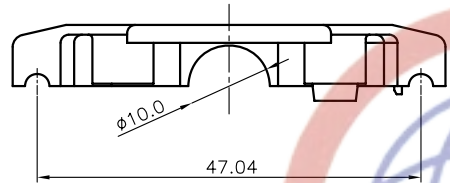
SCREW-2

GENERAL TOLERANCE	ANGLE TOLERANCE	PROJECTION	TITLE
X. ±0.60	X. ±5°	mm	D-SUB 15pin Metal Hood
.X ±0.38	.X ±3°		SHEET SIZE A4 SERIES DS1047 SERIES
.XX ±0.25	.XX ±2°		
DRAWING TYPE	CUSTOMER	晨翔电子有限公司 CONNFLY CONNFLY ELECTRONIC CO., LTD	
SCALE	1:1 SHEET 1 OF 1		
DRAWING NO.	C-DS1047-15XXX		

Tel:86-574-63505787
 Fax:86-574-63510817
 E-mail:sale@zhenqin.com.cn
 Http://www.connfly.com

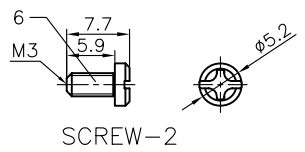
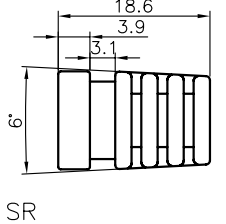
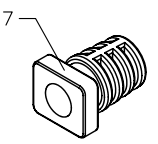
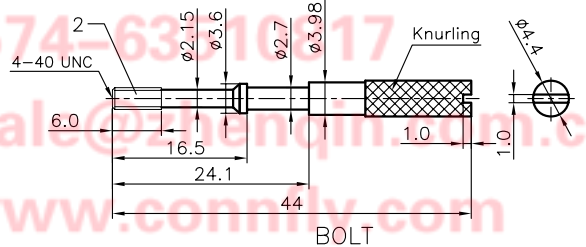
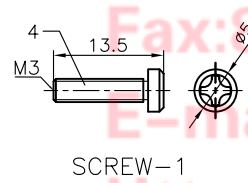
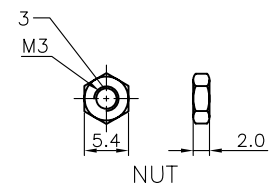
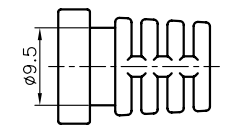
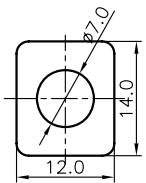
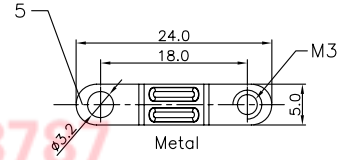
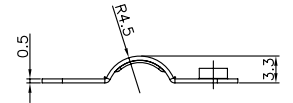
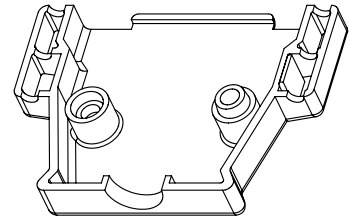
BOM LIST			
ITEM	PART NAME	Q'ty	NOTES
1	METAL HOOD	2	
2	BOLT	2	
3	NUT	2	
4	SCREW-1	2	M3*12
5	WASHER	2	
6	SCREW-2	2	M3*6
7	SR	1	

REV.	DESCRIPTION	DRAWN	CHECKED	APPROVED
A	NEW RELEASE	LJC 03/02/07'		



NOTES:
1. PART NUMBER CODE:

DS1047 - 25 X X X
 Long type
 L: Long
 Packing type
 1: Mix packing
 2: Separation packing
 Cover Material
 M: Metal(Znic alloy)
 Positions
 25: 25pin



GENERAL TOLERANCE	ANGLE TOLERANCE
X. ±0.60	X. ±5°
.X ±0.38	.X ±3°
.XX ±0.25	.XX ±2°

PROJECTION	TITLE
	D-SUB 25pin Metal Hood

UNITS	mm
SHEET SIZE	A4

SERIES	DS1047 SERIES
--------	---------------

DRAWING TYPE	CUSTOMER
SCALE	1:1 SHEET 1 OF 1
DRAWING NO.	C-DS1047-25XXX

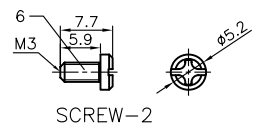
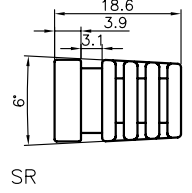
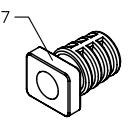
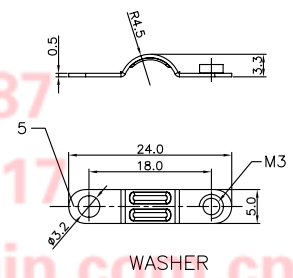
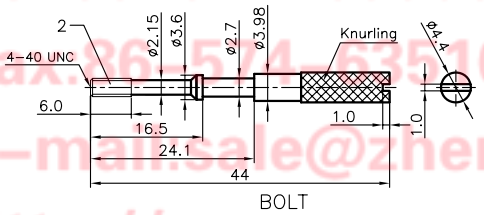
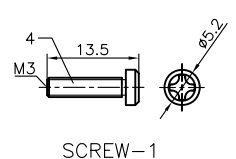
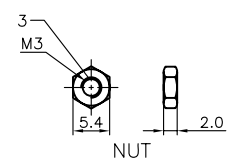
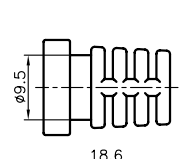
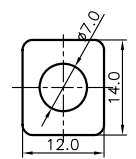
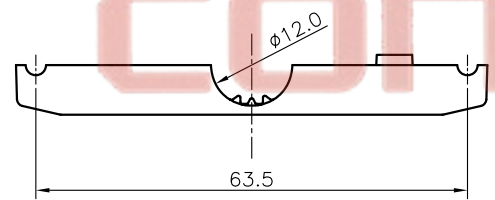
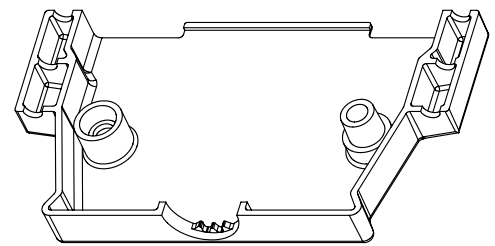
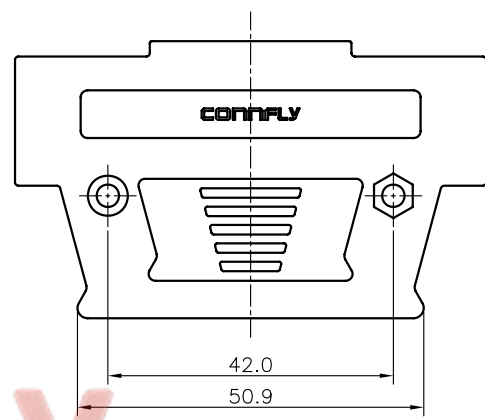
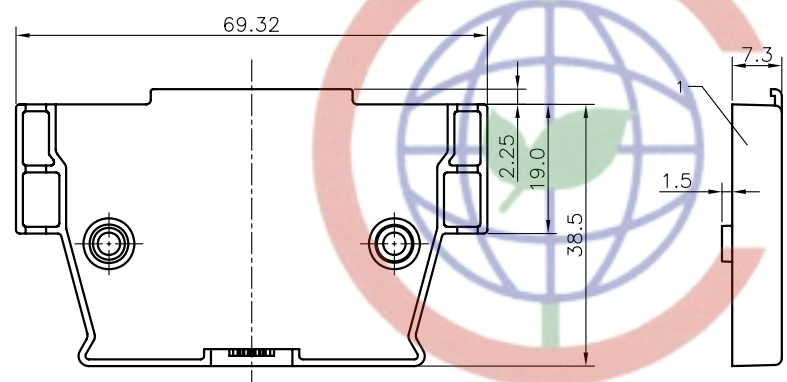
晨翔电子有限公司
CONFLY CONFLY ELECTRONIC CO., LTD

Tel:86-574-63508787
 Fax:86-574-63110817
 E-mail:sale@conflin.com.cn
 Http://www.conflin.com

BOM LIST			
ITEM	PART NAME	Q'ty	NOTES
1	METAL HOOD	2	
2	BOLT	2	
3	NUT	2	
4	SCREW-1	2	M3*12
5	WASHER	2	
6	SCREW-2	2	M3*6
7	SR	1	

REV.	DESCRIPTION	DRAWN	CHECKED	APPROVED
A	NEW RELEASE	LJC 03/02/07'		

NOTES:
 1. PART NUMBER CODE:
 DS1047 - 37 X X X
 Bolt type
 L: Long
 Packing type
 1: Mix packing
 2: Separation packing
 Cover Material
 M: Metal(Zinc alloy)
 Positions
 37: 37pin



GENERAL TOLERANCE	ANGLE TOLERANCE	PROJECTION		TITLE	D-SUB 37pin Metal Hood
X. ±0.60	X. ±5°	UNITS	mm	SHEET	DS1047 SERIES
.X ±0.38	.X ±3°	SHEET SIZE	A4		
.XX ±0.25	.XX ±2°				
DRAWING TYPE	CUSTOMER				
SCALE	1:1	SHEET	1 OF 1		
DRAWING NO.	C-DS1047-37XXX		晨翔电子有限公司 CONNFLY CONNFLY ELECTRONIC CO., LTD		

Tel:86-574-63508787
 Fax:86-574-63510817
 E-mail:sale@zhenqin.com.cn
 Http://www.connfly.com
 Add:East Industry Zone Kuang Yan
 Town Xi Ning China
 P.C:315335