

TO-92L Plastic-Encapsulate Transistors

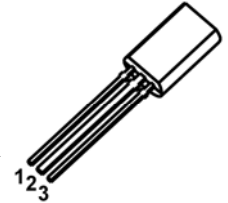
2SC2482 TRANSISTOR (NPN)

FEATURE

- High Voltage : $V_{CE0}=300V$
- Small Collector Output Capacitance: $C_{ob}=3.0pF(Typ)$

TO-92L

1. EMITTER
2. COLLECTOR
3. BASE



MAXIMUM RATINGS ($T_a=25^{\circ}C$ unless otherwise noted)

Symbol	Parameter	Value	Unit
V_{CBO}	Collector-Base Voltage	300	V
V_{CEO}	Collector-Emitter Voltage	300	V
V_{EBO}	Emitter-Base Voltage	7	V
I_C	Collector Current -Continuous	0.1	A
P_C	Collector Power Dissipation	0.9	W
T_J	Junction Temperature	150	$^{\circ}C$
T_{stg}	Storage Temperature	-55-150	$^{\circ}C$

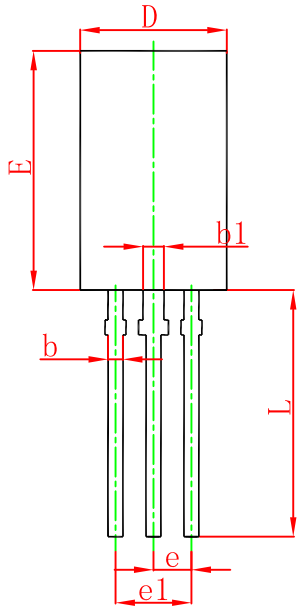
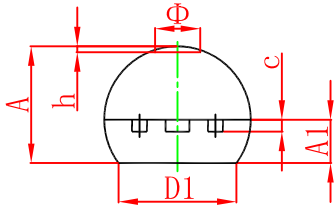
ELECTRICAL CHARACTERISTICS($T_a=25^{\circ}C$ unless otherwise specified)

Parameter	Symbol	Test conditions	Min	Typ	Max	Unit
Collector-base breakdown voltage	$V(BR)_{CBO}$	$I_C=100\mu A, I_E=0$	300			V
Collector-emitter breakdown voltage	$V(BR)_{CEO}$	$I_C=3mA, I_B=0$	300			V
Emitter-base breakdown voltage	$V(BR)_{EBO}$	$I_E=100\mu A, I_C=0$	7			V
Collector cut-off current	I_{CBO}	$V_{CB}=240V, I_E=0$			1.0	μA
Collector cut-off current	I_{CEO}	$V_{CB}=220V, I_B=0$			5.0	μA
Emitter cut-off current	I_{EBO}	$V_{EB}=7V, I_C=0$			1.0	μA
DC current gain	h_{FE}	$V_{CE}=10V, I_C=20mA$	30		150	
Collector-emitter saturation voltage	$V_{CE(sat)}$	$I_C=10mA, I_B=1mA$			1.0	V
Base-emitter saturation voltage	$V_{BE(sat)}$	$I_C=10mA, I_B=1mA$			1.0	V
Transition frequency	f_T	$V_{CE}=10V, I_C=20mA, f=30MHz$	50			MHz
Collector output capacitance	C_{ob}	$V_{CB}=20V, I_E=0, f=1MHz$		3		pF

CLASSIFICATION OF h_{FE}

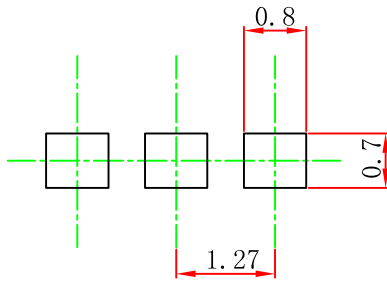
Rank	O	Y
Range	30-90	90-150

TO-92L Package Outline Dimensions



Symbol	Dimensions In Millimeters		Dimensions In Inches	
	Min.	Max.	Min.	Max.
A	3.750	4.050	0.148	0.159
A1	1.280	1.580	0.050	0.062
b	0.380	0.550	0.015	0.022
b1	0.620	0.780	0.024	0.031
c	0.350	0.450	0.014	0.018
D	4.750	5.050	0.187	0.199
D1	4.000		0.157	
E	7.850	8.150	0.309	0.321
e	1.270 TYP.		0.050 TYP.	
e1	2.440	2.640	0.096	0.104
L	13.800	14.200	0.543	0.559
Φ		1.600		0.063
h	0.000	0.300	0.000	0.012

TO-92L Suggested Pad Layout



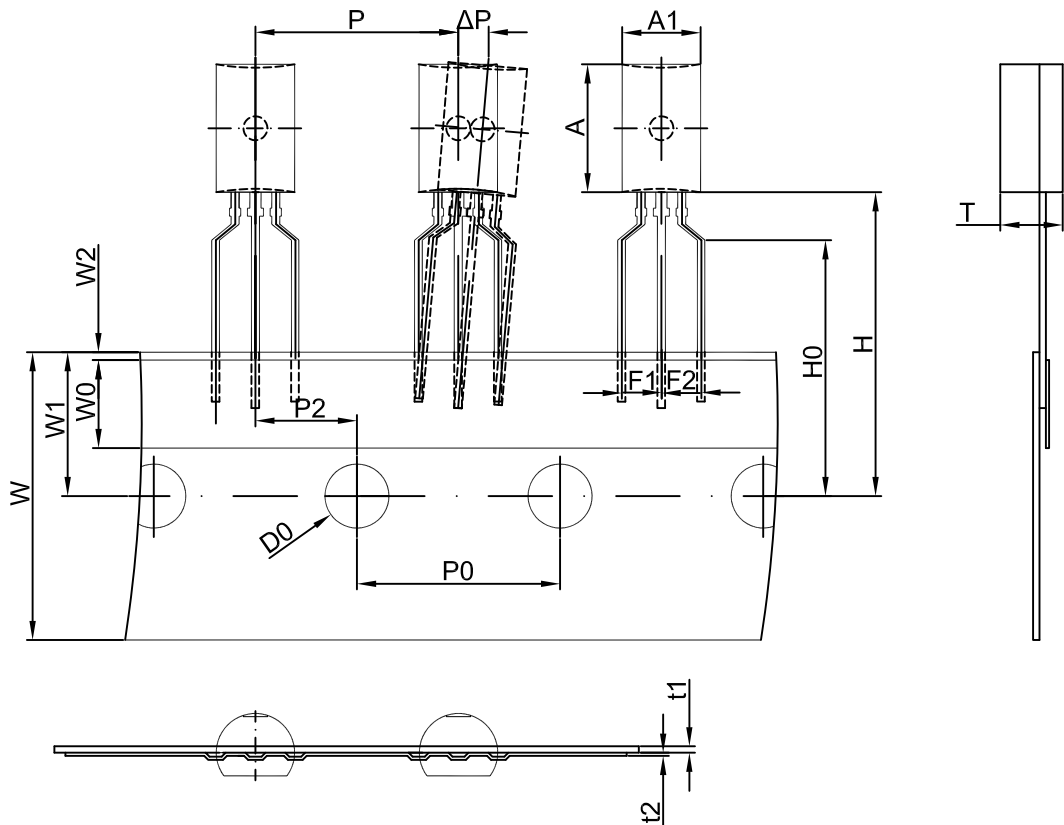
Note:

1. Controlling dimension: in millimeters.
2. General tolerance: $\pm 0.05\text{mm}$.
3. The pad layout is for reference purposes only.

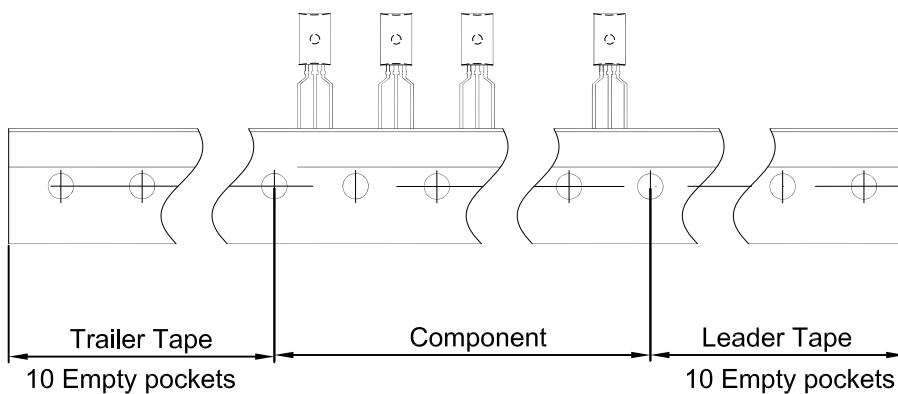
NOTICE

JCET reserve the right to make modifications, enhancements, improvements, corrections or other changes without further notice to any product herein. JCET does not assume any liability arising out of the application or use of any product described herein.

TO-92L PACKAGE TAPING DIMENSION



Dimensions are in millimeter								
A1	A	T	P	P0	P2	F1	F2	W
4.9	8.0	3.9	12.7	12.7	6.35	2.5	2.5	18.0
W0	W1	W2	H	H0	D0	t1	t2	ΔP
6.0	9.0	1.0	19.0	16.0	4.0	0.4	0.2	0



Package	Box	Box Size(mm)	Carton	Carton Size(mm)
TO-92L	2000 pcs	333×203×42	20,000 pcs	493×400×264