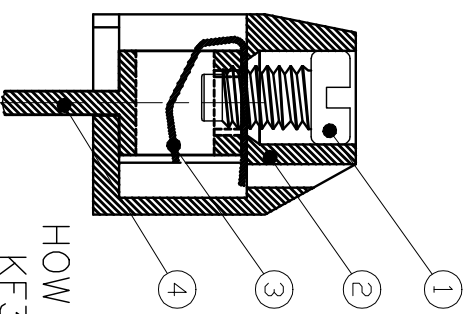
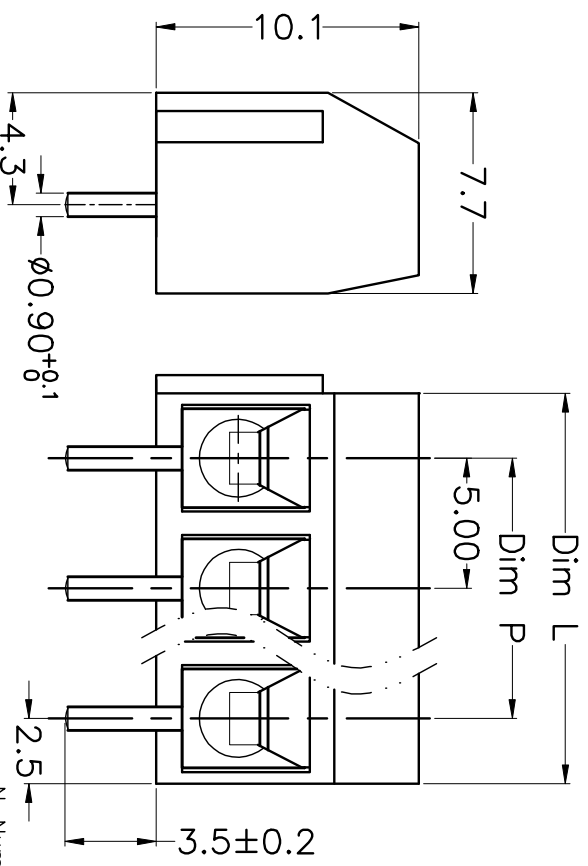
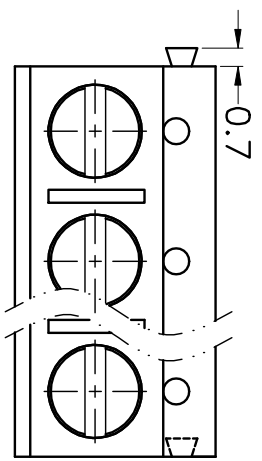


REV.	DESCRIPTION	DATE	DRAWN	APPROVED
A1	DWG.REL	2016/10/7	FANG	YANG



- Material
  - ①Screws : M2.5 steel, Zinc plated,
  - “-” slot type
  - ②Housing : PA66, UL94V-0
  - ③Reed : Phosphor bronze, Ni plated or stainless steel
  - ④Pin header : Brass, Tin plated

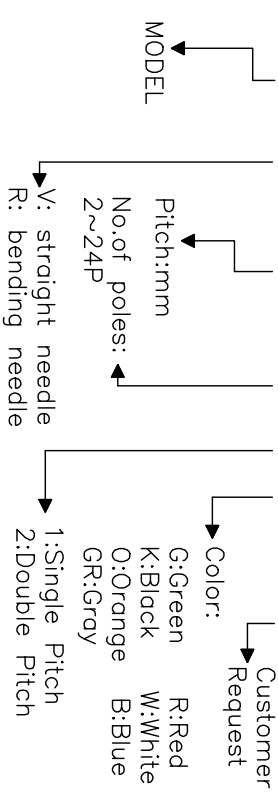
- Electrical
 

UL	IEC
Rated voltage : 300V	250V
Rated current : 12A	17.5A
Insulation resistance: 500M $\Omega$ /DC500V	
Withstanding Voltage : AC2000V/1min	
Wire range: 22-14AWG	2.5mm <sup>2</sup>

- Mechanical
  - Operating temperature: -30°C~+120°C
  - Soldering temperature: 250°C $\pm$ 5/5sec
  - Torque: 0.4N.m (3.54Lb.in)
  - Strip length: 4.5-5mm

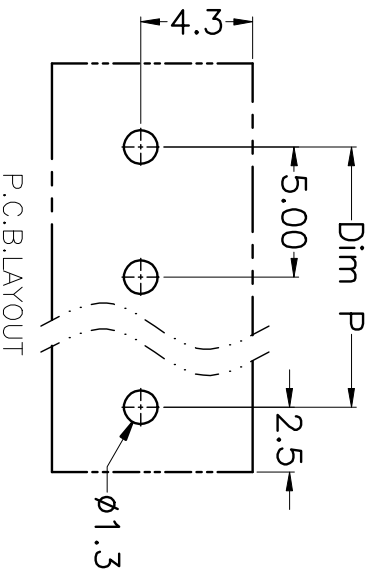
HOW TO ORDER

KF301 V -5.0-XXP-1 X-XXXXX



N=Number of Poles  
Dim P=(N-1)x5.00  
Dim L=Nx5.00

Poles	Dim P	Dim L
2-6P	$\pm 0.10$	$\pm 0.15$
7-12P	$\pm 0.20$	$\pm 0.20$
13-18P	$\pm 0.25$	$\pm 0.30$
19-24P	$\pm 0.30$	$\pm 0.40$



GENERAL TOLERANCE

GENERAL TOLERANCE	ANGLE TOLERANCE
X: $\pm 0.5$	X: $\pm 5^\circ$
.X: $\pm 0.3$	.X: $\pm 3'$
.XX: $\pm 0.1$	.XX: $\pm 1'$

PROJECTION

UNITS	TITLE
mm	KF301V-5.0-XXP

DRAWING TYPE	CUSTOMER	SHEET	OF
SCALE	1:1	1	1

**KF** 慈溪市凯峰电子有限公司  
KAI FENG ELECTRONIC CIXI KAIFENG ELECTRONIC CO.,LTD

