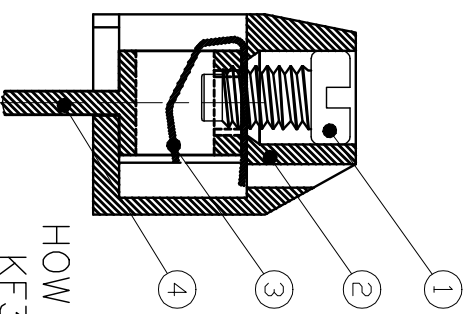
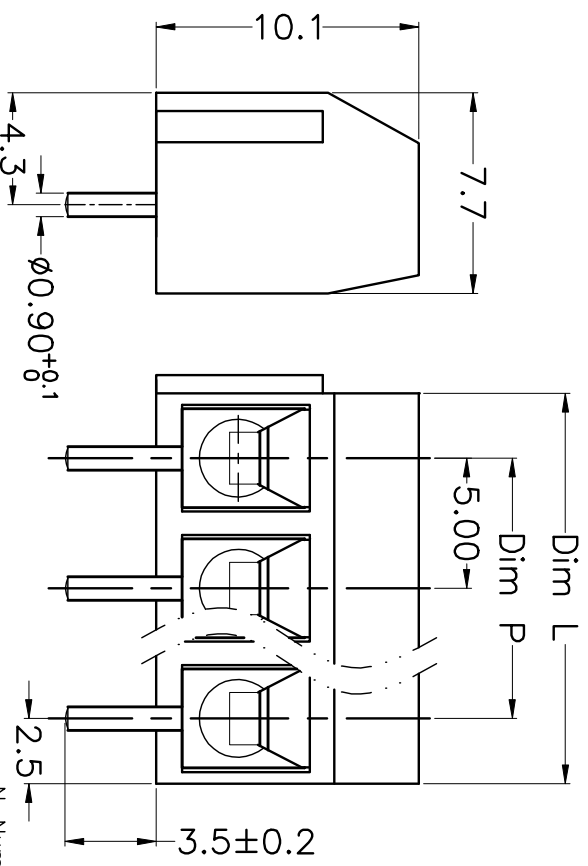
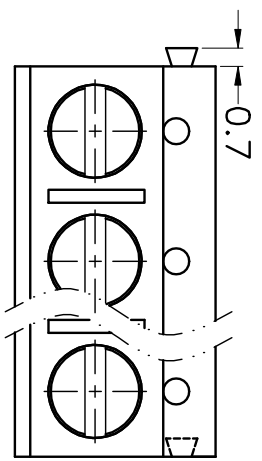


| REV. | DESCRIPTION | DATE | DRAWN | APPROVED |
|------|-------------|-----------|-------|----------|
| A1 | DWG.REL | 2016/10/7 | FANG | YANG |



- Material
 - ①Screws : M2.5 steel, Zinc plated,
 - “-” slot type
 - ②Housing : PA66, UL94V-0
 - ③Reed : Phosphor bronze, Ni plated or stainless steel
 - ④Pin header : Brass, Tin plated

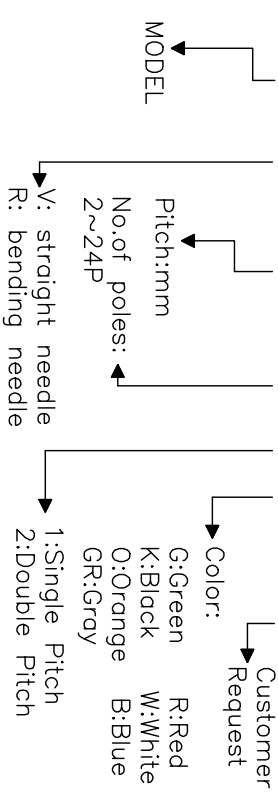
- Electrical

| | |
|--|--------------------|
| UL | IEC |
| Rated voltage : 300V | 250V |
| Rated current : 12A | 17.5A |
| Insulation resistance: 500M Ω /DC500V | |
| Withstanding Voltage : AC2000V/1min | |
| Wire range: 22-14AWG | 2.5mm ² |

- Mechanical
 - Operating temperature: -30°C~+120°C
 - Soldering temperature: 250°C \pm 5/5sec
 - Torque: 0.4N.m (3.54Lb.in)
 - Strip length: 4.5-5mm

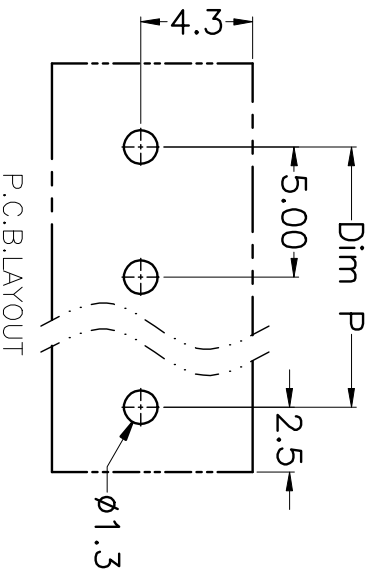
HOW TO ORDER

KF301 V -5.0-XXP-1 X-XXXXX



N=Number of Poles
Dim P=(N-1)x5.00
Dim L=Nx5.00

| Poles | Dim P | Dim L |
|--------|------------|------------|
| 2-6P | ± 0.10 | ± 0.15 |
| 7-12P | ± 0.20 | ± 0.20 |
| 13-18P | ± 0.25 | ± 0.30 |
| 19-24P | ± 0.30 | ± 0.40 |



| | | | |
|-------------------|----------------|-----------------|--------------|
| GENERAL TOLERANCE | | ANGLE TOLERANCE | |
| X: ± 0.5 | X': $\pm 5'$ | X: $\pm 3'$ | X': $\pm 1'$ |
| .X: ± 0.3 | .X': $\pm 3'$ | .XX: $\pm 1'$ | |
| .XX: ± 0.1 | .XX': $\pm 1'$ | | |
| DRAWING TYPE | CUSTOMER | SHEET | OF 1 |
| SCALE | 1:1 | 1 OF 1 | |
| DRAWING NO. | XP0012016-xxxx | | |

| | | | |
|------------|-------|----------------|--------|
| PROJECTION | TITLE | KF301V-5.0-XXP | |
| UNITS | mm | SHEET | A4 |
| SHEET SIZE | A4 | SERIES | KF301V |

KALTRON ELECTRONIC **慈溪市凯峰电子有限公司** CIXI KAIFENG ELECTRONIC CO.,LTD