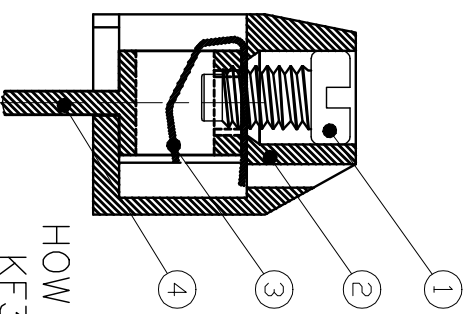
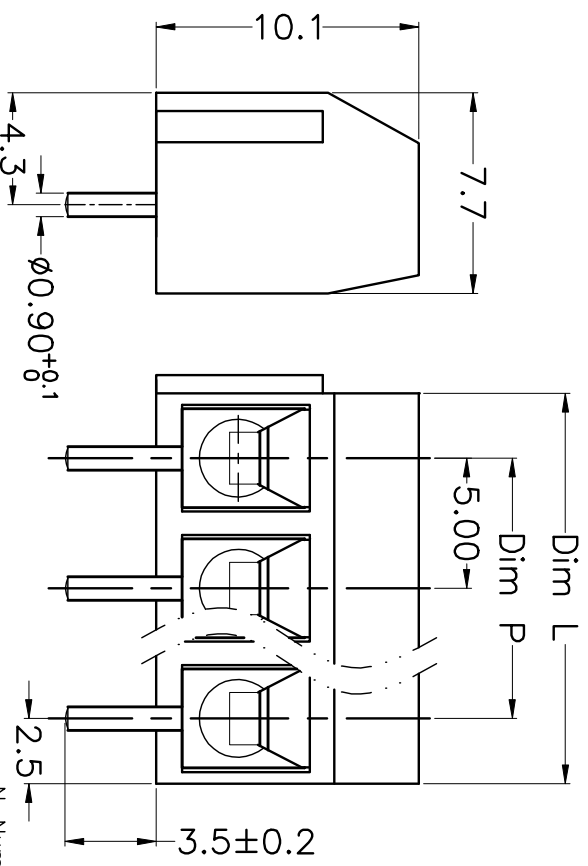
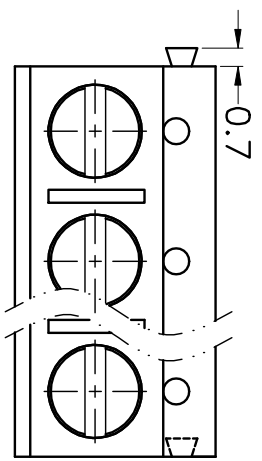


REV.	DESCRIPTION	DATE	DRAWN	APPROVED
A1	DWG.REL	2016/10/7	FANG	YANG



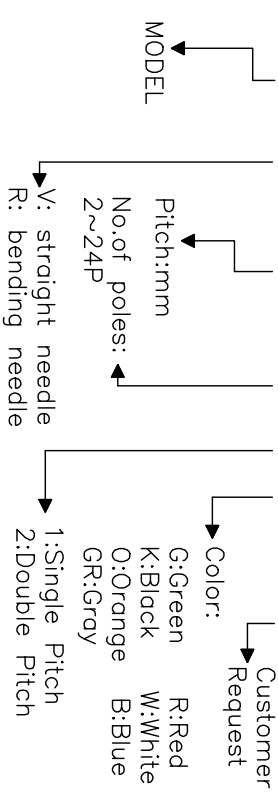
- Material
  - ①Screws : M2.5 steel, Zinc plated,
  - “-” slot type
  - ②Housing : PA66, UL94V-0
  - ③Reed : Phosphor bronze, Ni plated or stainless steel
  - ④Pin header : Brass, Tin plated

- Electrical UL IEC
  - Rated voltage : 300V 250V
  - Rated current : 12A 17.5A
  - Insulation resistance: 500MΩ/DC500V
  - Withstanding Voltage : AC2000V/1min
  - Wire range: 22-14AWG 2.5mm<sup>2</sup>

- Mechanical
  - Operating temperature: -30°C~+120°C
  - Soldering temperature: 250°C±5/5sec
  - Torque: 0.4N.m (3.54Lb.in)
  - Strip length: 4.5-5mm

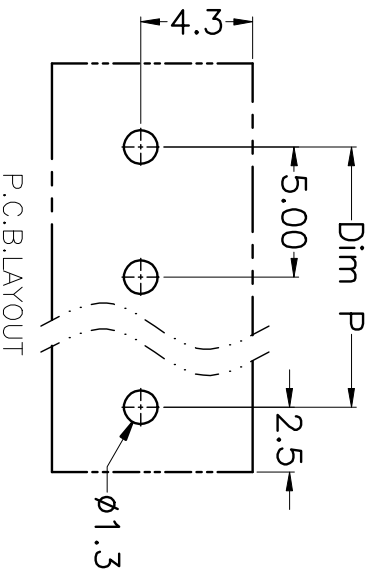
HOW TO ORDER

KF301 V -5.0-XXP-1 X-XXXXX



N=Number of Poles  
Dim P=(N-1)x5.00  
Dim L=Nx5.00

Poles	Dim P	Dim L
2-6P	±0.10	±0.15
7-12P	±0.20	±0.20
13-18P	±0.25	±0.30
19-24P	±0.30	±0.40



GENERAL TOLERANCE		ANGLE TOLERANCE	
X: ±0.5	X': ±0.3	X: .XX	X': ±5'
.XX ±0.1			X': ±3'
DRAWING TYPE CUSTOMER		DRAWING TYPE CUSTOMER	
SCALE 1:1	SHEET 1 OF 1		
DRAWING NO. XP0012016-xxxx			

PROJECTION	TITLE	KF301V-5.0-XXP	
UNITS mm	SHEET SIZE A4	SERIES KF301V	
<p>慈溪市凯峰电子有限公司</p> <p>KAIFENG ELECTRONIC CIXI KAIFENG ELECTRONIC CO.,LTD</p>			