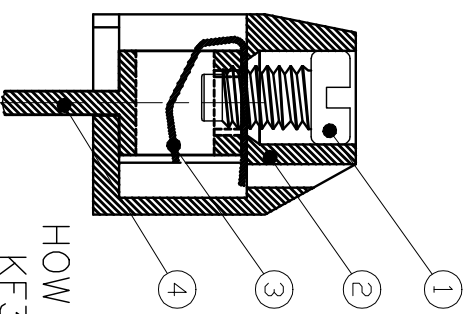
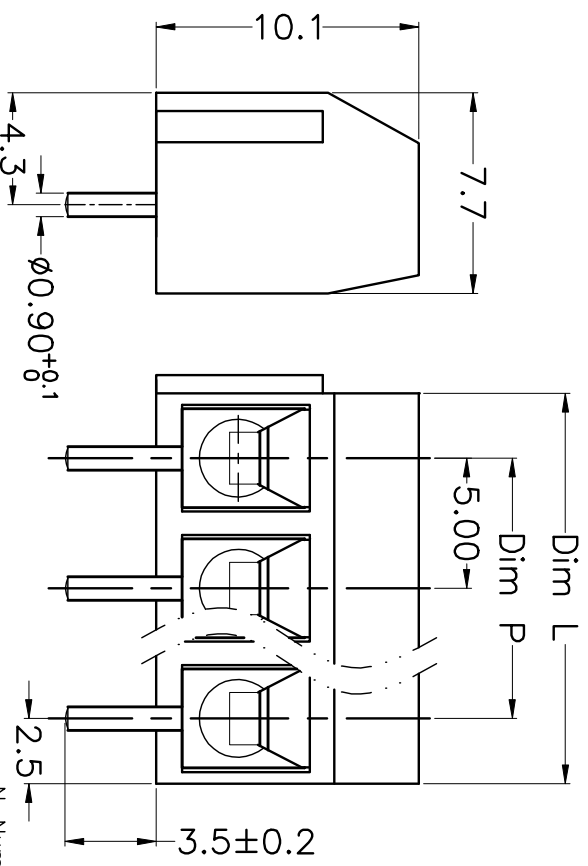
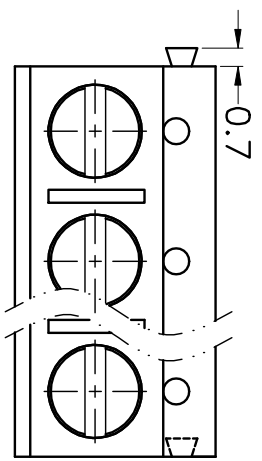


REV.	DESCRIPTION	DATE	DRAWN	APPROVED
A1	DWG.REL	2016/10/7	FANG	YANG



- Material
 - ØScrews : M2.5 steel, Zinc plated,
 - “-” slot type
 - ØHousing : PA66, UL94V-0
 - ØReed : Phosphor bronze, Ni plated
 - or stainless steel
 - ØPin header : Brass, Tin plated

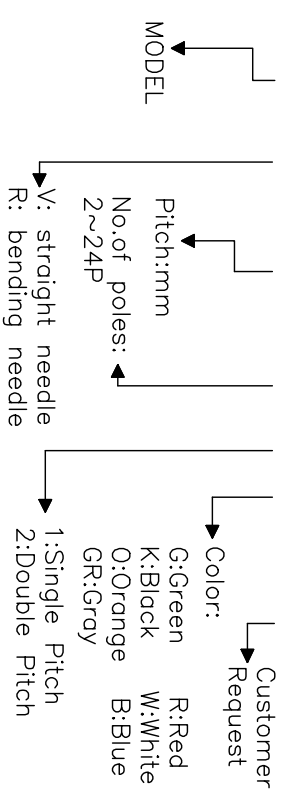
- Electrical

UL	IEC
Rated voltage : 300V	250V
Rated current : 12A	17.5A
Insulation resistance: 500MΩ/DC500V	
Withstanding Voltage : AC2000V/1min	
Wire range: 22-14AWG	2.5mm ²

- Mechanical
 - Operating temperature: -30°C~+120°C
 - Soldering temperature: 250°C±5/5sec
 - Torque: 0.4N.m (3.54Lb.in)
 - Strip length: 4.5-5mm

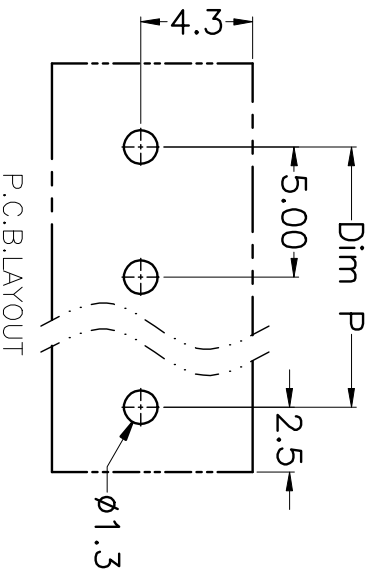
HOW TO ORDER

KF301 V -5.0-XXP-1 X-XXXXX



N=Number of Poles
Dim P=(N-1)x5.00
Dim L=Nx5.00

Poles	Dim P	Dim L
2-6P	±0.10	±0.15
7-12P	±0.20	±0.20
13-18P	±0.25	±0.30
19-24P	±0.30	±0.40



GENERAL TOLERANCE		ANGLE TOLERANCE	
X: ±0.5	X': ±0.3	X: .XX	X': ±1'
DRAWING TYPE CUSTOMER		SCALE	
1:1		1 OF 1	
DRAWING NO. XP0012016-xxxx		SHEET	

PROJECTION	TITLE
UNITS	KF301V-5.0-XXP
SHEET SIZE	SERIES
A4	KF301V

KALTRON ELECTRONIC CIXI KAIFENG ELECTRONIC CO.,LTD

DFP 慈溪市凯峰电子有限公司