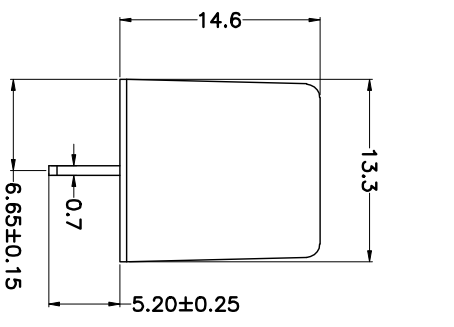
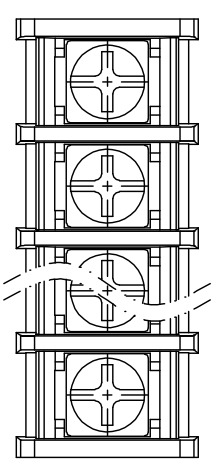
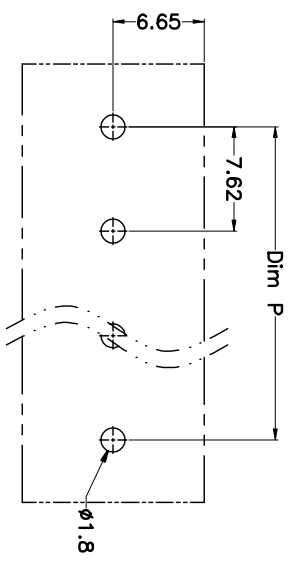
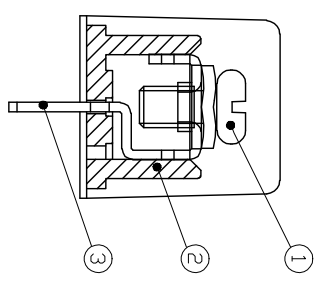
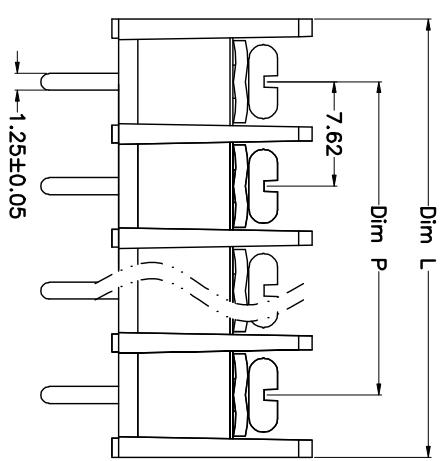


REV.	DESCRIPTION	DATE	DRAWN	APPROVED
A1	DWG.REL	2016/10/7	FANG	YANG



N=Number of Poles  
 Dim P=(N-1)x7.62  
 Dim L=Nx7.62+1.5

Poles	Dim P	Dim L
2-6P	±0.10	±0.15
7-12P	±0.20	±0.20
13-18P	±0.25	±0.30
19-24P	±0.30	±0.40

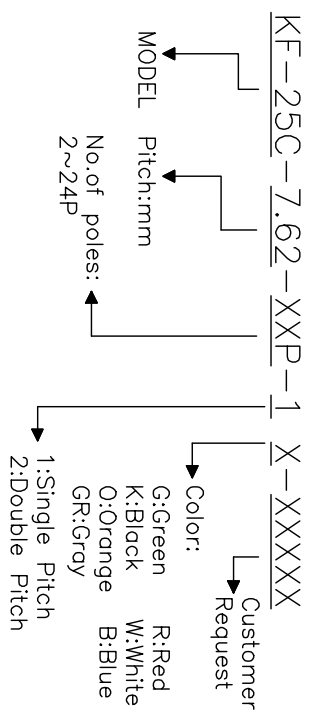


P.C.B.LAYOUT

- Material
  - ①Screws : M3.0 steel, Ni plated
  - ②Housing : PA66,UL94V-0
  - ③Terminal : Brass, Tin plated
- Electrical
 

UL	IEC
Rated voltage : 300V	250V
Rated current : 15A	24A
Insulation resistance: 500MΩ/DC500V	
Withstanding Voltage : AC2000V/1min	
Wire range: 22-14AWG	2.5mm <sup>2</sup>
- Mechanical
  - Operating temperature: -40°C ~ +105°C
  - Soldering temperature: 250°C ±5/5sec
  - Torque: 0.5N.m (4.43Lb.in)

HOW TO ORDER



GENERAL TOLERANCE

ANGLE TOLERANCE

PROJECTION

X.	±0.5	X.	±5'	mm	KF-25C-7.62-XXP
.X	±0.3	X'	±3'	A4	
.XX	±0.1	.XX'	±1'	SERIES	KF-25C
DRAWING TYPE	CUSTOMER	SCALE	1:1	SHEET	1 OF 1
DRAWING NO.	XP0012016-xxxx				

**KF** 慈溪市凯峰电子有限公司  
 KAIFENG ELECTRONIC CIXI KAIFENG ELECTRONIC CO.,LTD