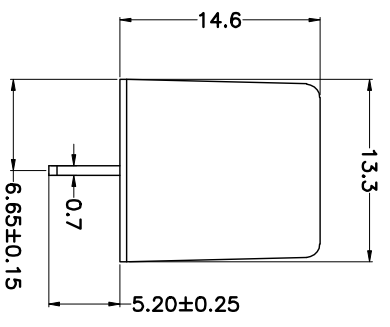
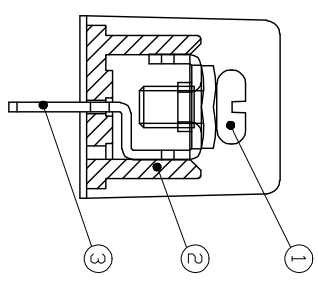
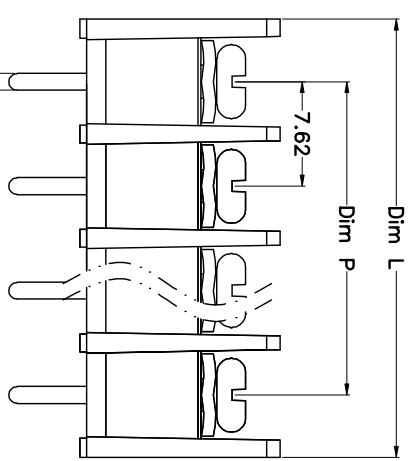
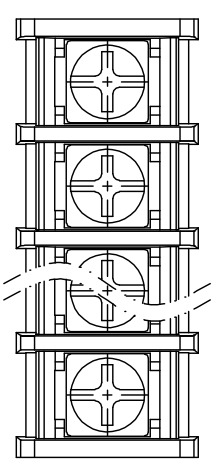
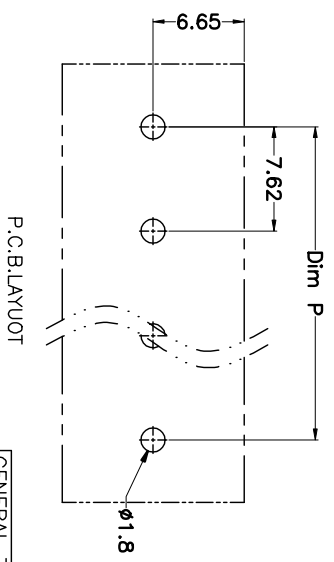


| REV. | DESCRIPTION | DATE | DRAWN | APPROVED |
|------|-------------|-----------|-------|----------|
| A1 | DWG.REL | 2016/10/7 | FANG | YANG |



N=Number of Poles
 Dim P=(N-1)x7.62
 Dim L=Nx7.62+1.5

| Poles | Dim P | Dim L |
|--------|-------|-------|
| 2-6P | ±0.10 | ±0.15 |
| 7-12P | ±0.20 | ±0.20 |
| 13-18P | ±0.25 | ±0.30 |
| 19-24P | ±0.30 | ±0.40 |

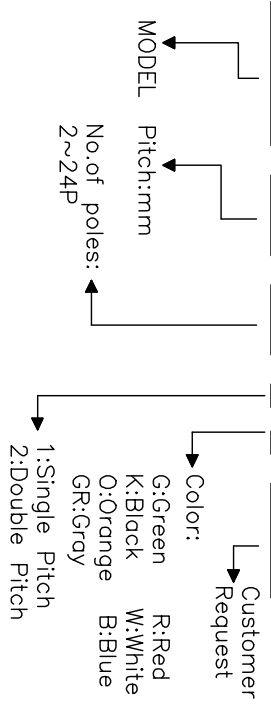


P.C.B.LAYOUT

- Material
 - ①Screws : M3.0 steel, Ni plated
 - ②Housing : PA66,UL94V-0
 - ③Terminal : Brass, Tin plated
- Electrical
 - UL IEC
 - Rated voltage : 300V 250V
 - Rated current : 15A 24A
 - Insulation resistance: 500MΩ/DC500V
 - Withstanding Voltage : AC2000V/1min
 - Wire range: 22-14AWG 2.5mm²
- Mechanical
 - Operating temperature:-40℃~+105℃
 - Soldering temperature:250℃±5/5sec
 - Torque: 0.5N.m (4.43Lb.in)

HOW TO ORDER

KF-25C-7.62-XXP-1 X-XXXXXX



GENERAL TOLERANCE ANGLE TOLERANCE

| | | | |
|-----|------|------|-----|
| X. | ±0.5 | X. | ±5' |
| .X | ±0.3 | .X' | ±3' |
| .XX | ±0.1 | .XX' | ±1' |

| DRAWING TYPE | CUSTOMER | SHEET | 1 OF 1 |
|--------------|----------------|-------|--------|
| SCALE | 1:1 | | |
| DRAWING NO. | XP0012016-xxxx | | |

PROJECTION UNITS

| | | | |
|----|--------|--------|-------|
| mm | | | |
| A4 | SERIES | KF-25C | TITLE |

KF-25C-7.62-XXP

KF 慈溪市凯峰电子有限公司
 KAIFENG ELECTRONIC CIXI KAIFENG ELECTRONIC CO.,LTD