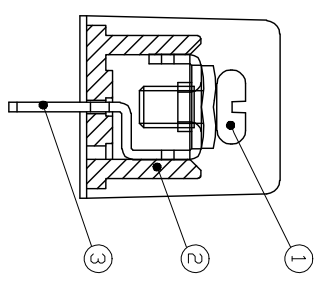
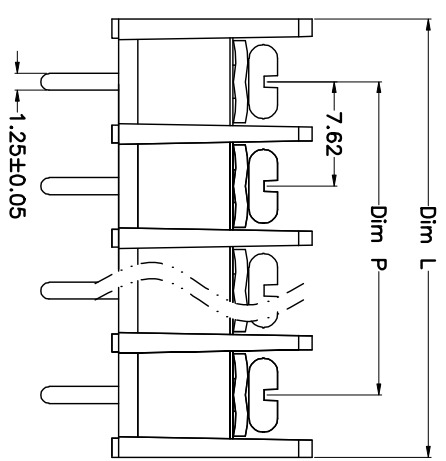
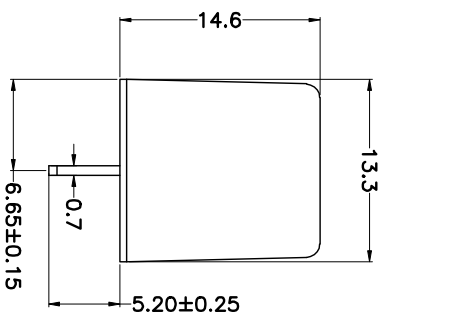
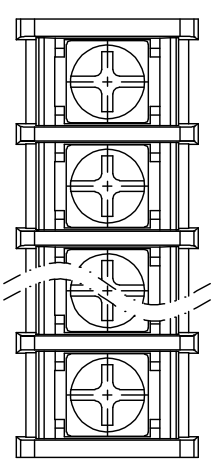
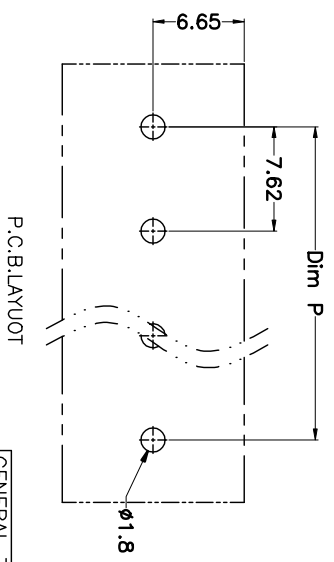


REV.	DESCRIPTION	DATE	DRAWN	APPROVED
A1	DWG.REL	2016/10/7	FANG	YANG



N=Number of Poles  
 Dim P=(N-1)x7.62  
 Dim L=Nx7.62+1.5

Poles	Dim P	Dim L
2-6P	±0.10	±0.15
7-12P	±0.20	±0.20
13-18P	±0.25	±0.30
19-24P	±0.30	±0.40

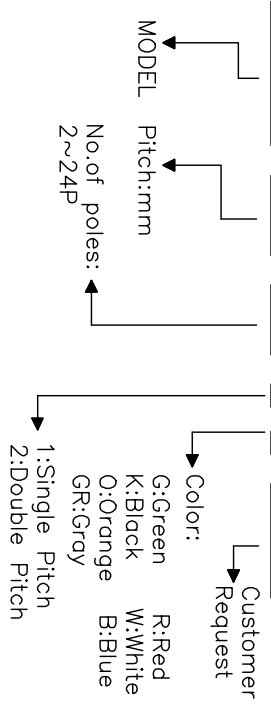


P.C.B.LAYOUT

- Material
  - ①Screws : M3.0 steel, Ni plated
  - ②Housing : PA66,UL94V-0
  - ③Terminal : Brass, Tin plated
- Electrical
  - UL IEC
  - Rated voltage : 300V 250V
  - Rated current : 15A 24A
  - Insulation resistance: 500MΩ/DC500V
  - Withstanding Voltage : AC2000V/1min
  - Wire range: 22-14AWG 2.5mm<sup>2</sup>
- Mechanical
  - Operating temperature:-40℃~+105℃
  - Soldering temperature:250℃±5/5sec
  - Torque: 0.5N.m (4.43Lb.in)

HOW TO ORDER

KF-25C-7.62-XXP-1 X-XXXXX



GENERAL TOLERANCE		ANGLE TOLERANCE	
X.	±0.5	X.	±5'
.X	±0.3	.X'	±3'
.XX	±0.1	.XX'	±1'
DRAWING TYPE	CUSTOMER	SHEET	1 OF 1
SCALE	1:1		
DRAWING NO.	XP0012016-xxxx		

PROJECTION	TITLE
mm	KF-25C-7.62-XXP
SHEET SIZE	A4
SERIES	KF-25C

**KF** 慈溪市凯峰电子有限公司  
 KAIFENG ELECTRONIC CIXI KAIFENG ELECTRONIC CO.,LTD