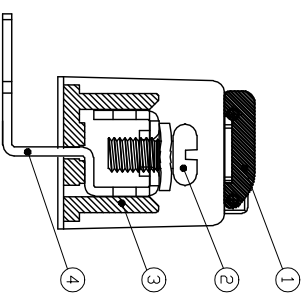
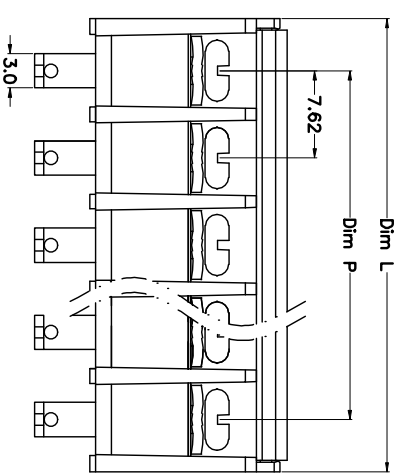
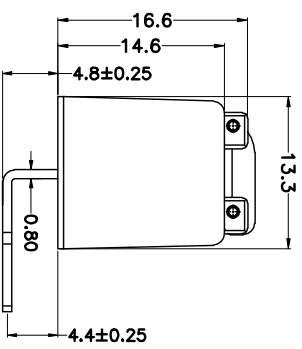
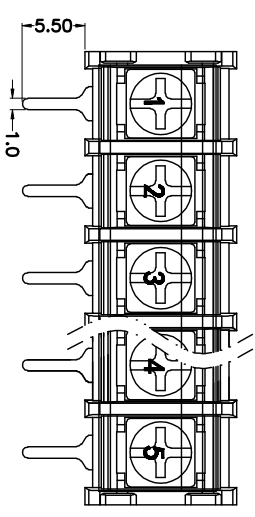
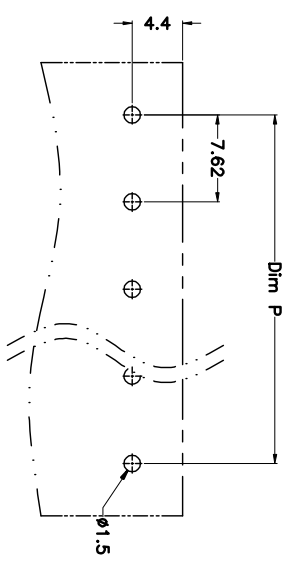


REV.	DESCRIPTION	DATE	DRAWN	APPROVED
A1	DWG.REL	2016/10/7	FANG	YANG



N=Number of Poles  
 Dim P=(N-1)X7.62  
 Dim L=(N)X7.62+1.5

Poles	Dim P	Dim L
2-6P	±0.10	±0.15
7-12P	±0.20	±0.20
13-18P	±0.25	±0.30
19-24P	±0.30	±0.40



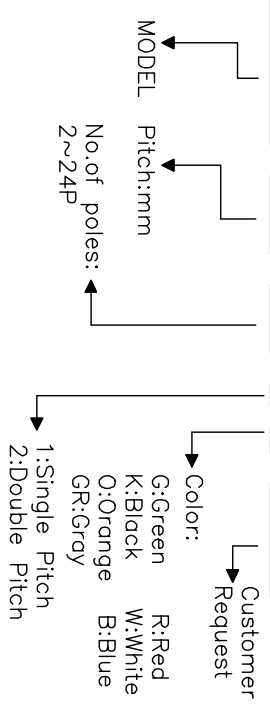
- Material
  - ⊙Cover : PA66,UL94V-0
  - ⊙Screws : M3.0 steel, Ni plated
  - ⊙Housing : PA66,UL94V-0
  - ⊙Terminal : Brass, Tin plated

- Electrical UL IEC
  - Rated voltage : 300V 250V
  - Rated current : 15A 24A
  - Insulation resistance: 500MΩ/DC500V
  - Withstanding Voltage : AC2000V/1min
  - Wire range: 22-14AWG 2.5mm<sup>2</sup>

- Mechanical
  - Operating temperature:-40°C~+105°C
  - Soldering temperature:250°C±5/5sec
  - Torque: 0.5N.m (4.43lb.in)

HOW TO ORDER

KF-25RM-7.62-XXP-1 X-XXXXX



GENERAL TOLERANCE ANGLE TOLERANCE

X.	±0.5	X.	±5'
.X	±0.3	.X.	±3'
.XX	±0.1	.XX.	±1'

DRAWING TYPE	CUSTOMER	SHEET	1 OF 1
SCALE	1:1		
DRAWING NO.	XP0012016-xxxx		

PROJECTION

UNITS	mm	TITLE	KF-25RM-7.62-XXP
SHEET SIZE	A4	SERIES	KF-25RM

**KF** 慈溪市凯峰电子有限公司  
 KAIFENG ELECTRONIC CIXI KAIFENG ELECTRONIC CO.,LTD