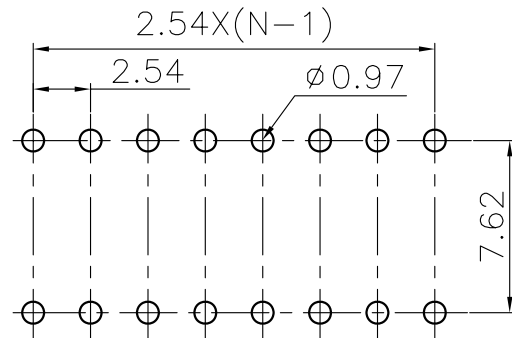
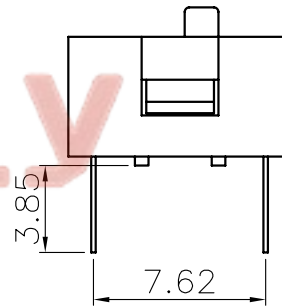
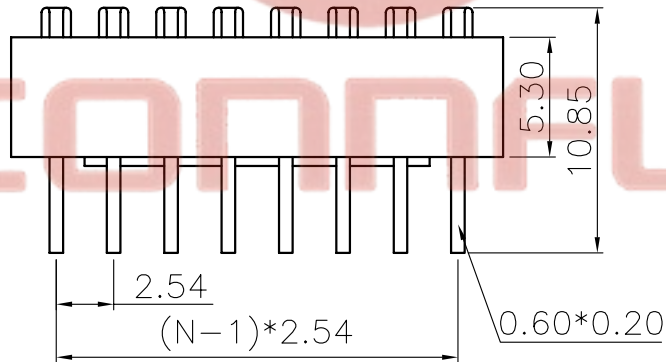
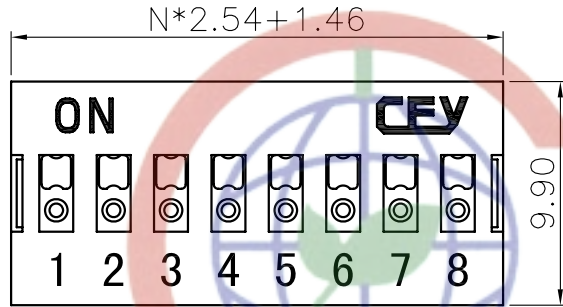


| REV. | DESCRIPTION | DRAWN | CHECKED | APPROVED |
|------|-------------|--------------|---------|----------|
| A | NEW RELEASE | YCH 12/13/08 | ~ | |



RECOMMEND PCB LAYOUT
(TOLERANCE=±0.05)

NOTES:

- 1.MECHANICAL
 - 1.1 Operation Force: 800g Max
 - 1.2 Stroke: 1.90mm
 - 1.3 Operation Temperature: -25°C~+80°C
 - 1.4 Storage Temperature: -45°C~+90°C
- 2.MATERIALS
 - 2.1 Base: Engineering Plastics,Black
 - 2.2 Cover: Engineering Plastics,Red or Blue
 - 2.3 Button: Engineering Plastics,White
 - 2.4 Terminal: Alloy Copper, Gold plating
- 3.ELECTRICAL
 - 3.1 Electrical Life: 2000 operations cycles per switch
 - 3.2 Non-Switching Rating: 100mA,50VDC
 - 3.3 Switching rating: 25mA,24VDC
 - 3.4 Contact resistance: 50mΩ Max. at initial; 100mΩ Max. after life test.
 - 3.5 Insulation Resistance: 100MΩ,500VDC
 - 3.6 Dielectric Strength: 500VAC/1 minute
 - 3.7 Circuit: Single pole single throw
4. PRODUCT NUMBER CODE:

DS1040 - X X X

- X Housing Type
- N: Regular
- X Housing color
- R: Red
- B: Blue
- K: Black
- N: Brown
- X Positions
- 01: 1pin 07: 7pin
- 02: 2pin 08: 8pin
- 03: 3pin 09: 9pin
- 04: 4pin 10: 10pin
- 05: 5pin 11: 11pin
- 06: 6pin 12: 12pin

| GENERAL TOLERANCE | | ANGLE TOLERANCE | | PROJECTION | TITLE |
|-------------------|-------|-----------------|-----|--------------|------------|
| X. | ±0.60 | X. | ±5° | mm | DIP SWITCH |
| .X | ±0.38 | .X | ±3° | | |
| .XX | ±0.25 | .XX | ±2° | | |
| DRAWING TYPE | | CUSTOMER | | SHEET SIZE | SERIES |
| SCALE | | 1:1 | | A4 | DS1040 |
| DRAWING NO. | | C-DS1040-XXN | | SHEET 1 OF 1 | |

CONNFLY 晨翔电子有限公司
CONNFLY ELECTRONIC CO. LTD

Tel:86-574-6350878
Fax:86-574-6351081
E-mail:sale@zhenqi.com.cn
Http://www.connfly.com.cn

| REV. | DESCRIPTION | DRAWN | CHECKED | APPROVED |
|------|-------------|--------------|---------|----------|
| A | NEW RELEASE | YCH 12/13/08 | ~ | |

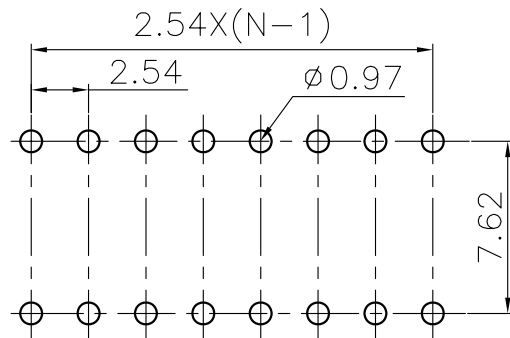
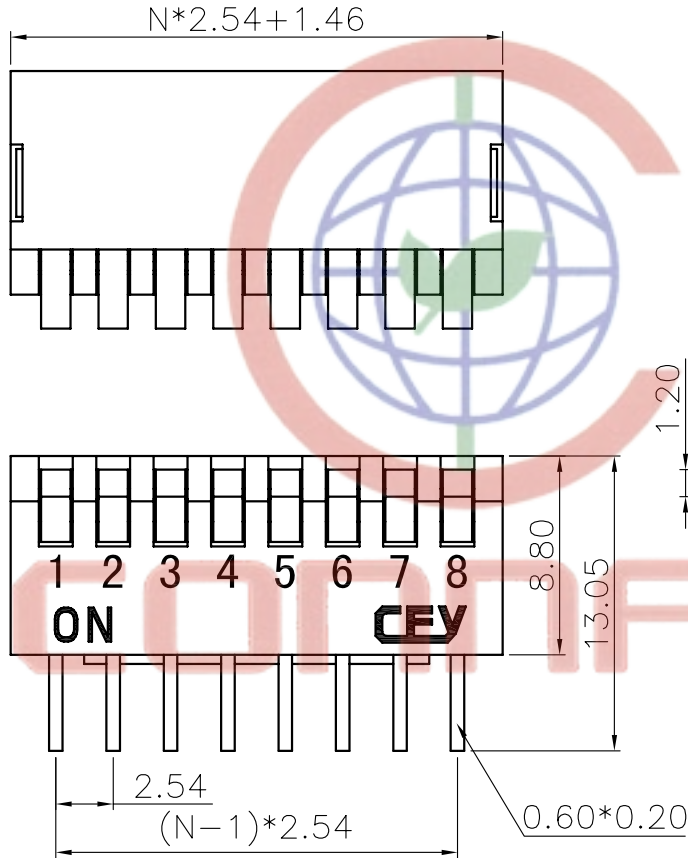
NOTES:

- 1.MECHANICAL
 - 1.1 Operation Force: 800g Max
 - 1.2 Stroke: 1.90mm
 - 1.3 Operation Temperature: -25°C~+80°C
 - 1.4 Storage Temperature: -45°C~+90°C
- 2.MATERIALS
 - 2.1 Base: Engineering Plastics,Black
 - 2.2 Cover: Engineering Plastics,Red or Blue
 - 2.3 Button: Engineering Plastics,White
 - 2.4 Terminal: Alloy Copper, Gold plating
- 3.ELECTRICAL
 - 3.1 Electrical Life: 2000 operations cycles per switch
 - 3.2 Non-Switching Rating: 100mA,50VDC
 - 3.3 Switching rating: 25mA,24VDC
 - 3.4 Contact resistance: 50mΩ Max. at initial; 100mΩ Max. after life test.
 - 3.5 Insulation Resistance: 100MΩ,500VDC
 - 3.6 Dielectric Strength: 500VAC/1 minute
 - 3.7 Circuit: Single pole single throw
4. PRODUCT NUMBER CODE:

DS1040 - X X X

- X Housing Type
- T: Piano
- X Housing color
- R: Red
- B: Blue
- K: Black
- N: Brown
- X Positions

02: 2pin 07: 7pin
 03: 3pin 08: 8pin
 04: 4pin 09: 9pin
 05: 5pin 10: 10pin
 06: 6pin 11: 11pin
 12: 12pin



RECOMMEND PCB LAYOUT
 (TOLERANCE=±0.05)

| GENERAL TOLERANCE | | ANGLE TOLERANCE | |
|-------------------|-------|-----------------|-----|
| X. | ±0.60 | X. | ±5° |
| .X | ±0.38 | .X | ±3° |
| .XX | ±0.25 | .XX | ±2° |

| PROJECTION | TITLE |
|------------|--------|
| UNITS | mm |
| SHEET SIZE | A4 |
| SERIES | DS1040 |

| DRAWING TYPE | CUSTOMER |
|--------------|------------------|
| SCALE | 1:1 SHEET 1 OF 1 |
| DRAWING NO. | C-DS1040-XXT |



晨翔电子有限公司
CONNFLY CONNFLY ELECTRONIC CO. LTD

Tel:86-574-63508787
 Fax:86-574-6351081
 E-mail:sale@zhenqing.com.cn
 Http://www.connfly.com.cn

| REV. | DESCRIPTION | DRAWN | CHECKED | APPROVED |
|------|-------------|--------------|---------|----------|
| A | NEW RELEASE | YCH 12/13/08 | ~ | |

NOTES:

1.MECHANICAL

- 1.1 Operation Force: 1000g Max
- 1.2 Stroke: 1.90mm
- 1.3 Operation Temperature: -20°C~+85°C
- 1.4 Storage Temperature: -40°C~+85°C

2.MATERIALS

- 2.1 Base: Engineering Plastics,Black
- 2.2 Cover: Engineering Plastics,Red or Blue
- 2.3 Button: Engineering Plastics,White
- 2.4 Terminal: Alloy Copper, Gold plating

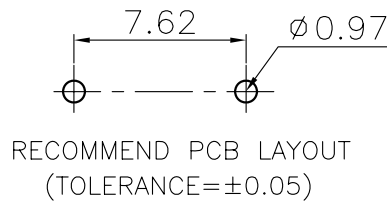
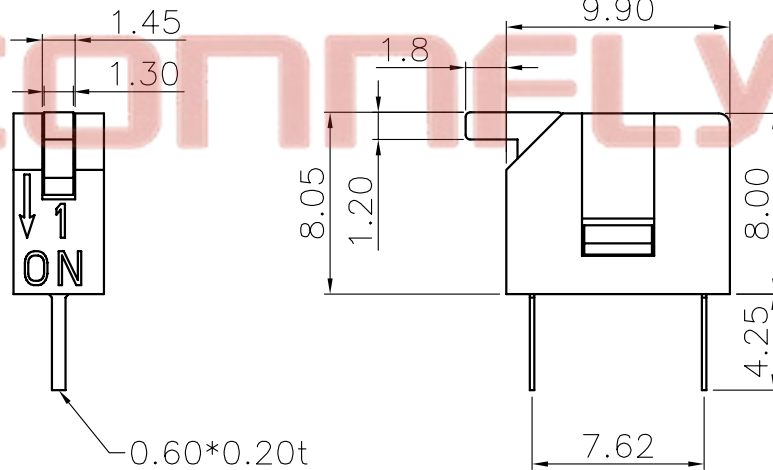
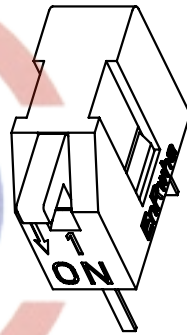
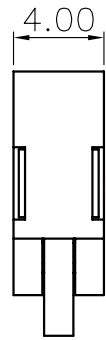
3.ELECTRICAL

- 3.1 Electrical Life: 2000 operations cycles per switch
- 3.2 Non-Switching Rating: 100mA,50VDC
- 3.3 Switching rating: 25mA,24VDC
- 3.4 Contact resistance: 50mΩ Max. at initial; 100mΩ Max. after life test.
- 3.5 Insulation Resistance: 100MΩ,500VDC
- 3.6 Dielectric Strength: 500VAC/1 minute
- 3.7 Circuit: Single pole single throw

4. PRODUCT NUMBER CODE:

DS1040 - X X X

- X Housing Type
- T: Piano
- X Housing color
- R: Red
- B: Blue
- K: Black
- N: Brown
- X Positions
- 01: 1pin



| | | | | | | | | |
|-------------------|-------|-----------------|--------|--|----|--------|------------|--|
| GENERAL TOLERANCE | | ANGLE TOLERANCE | | PROJECTION | | TITLE | DIP SWITCH | |
| X. | ±0.60 | X. | ±5° | UNITS | mm | SERIES | DS1040 | |
| .X | ±0.38 | .X | ±3° | SHEET SIZE | A4 | | | |
| .XX | ±0.25 | .XX | ±2° | 晨翔电子有限公司 CONNFLY CONNFLY ELECTRONIC CO. LTD | | | | |
| DRAWING TYPE | | CUSTOMER | | | | | | |
| SCALE | 1:1 | SHEET | 1 OF 1 | | | | | |
| DRAWING NO. | | C-DS1040-1XT | | | | | | |

Tel:86-574-6350878
 Fax:86-574-6351081
 E-mail:sale@zhenqin.com.cn
 Http://www.connfly.com