

REV.	DESCRIPTION	DRAWN	CHECKED	APPROVED
A	NEW RELEASE	YCH 08/17/07'	~	

NOTES:

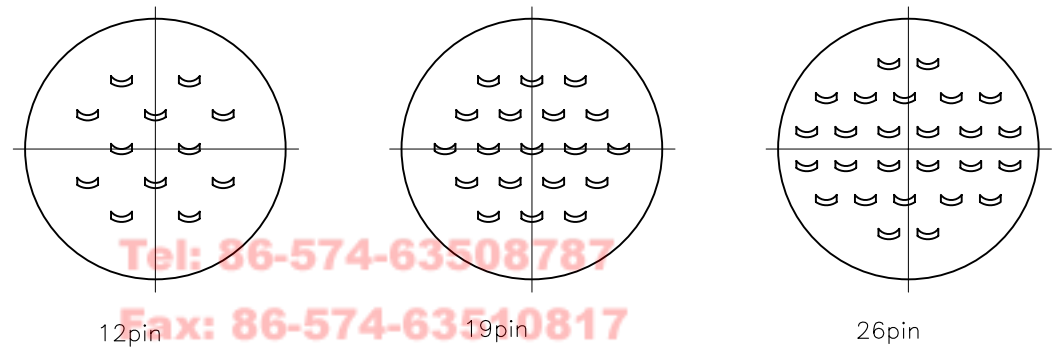
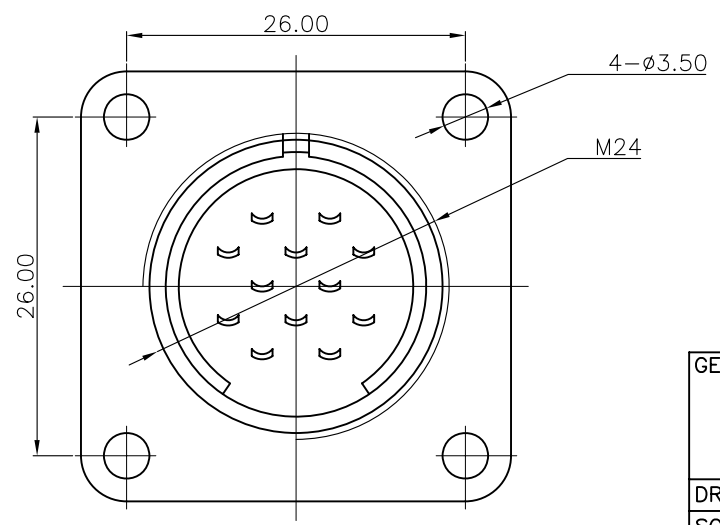
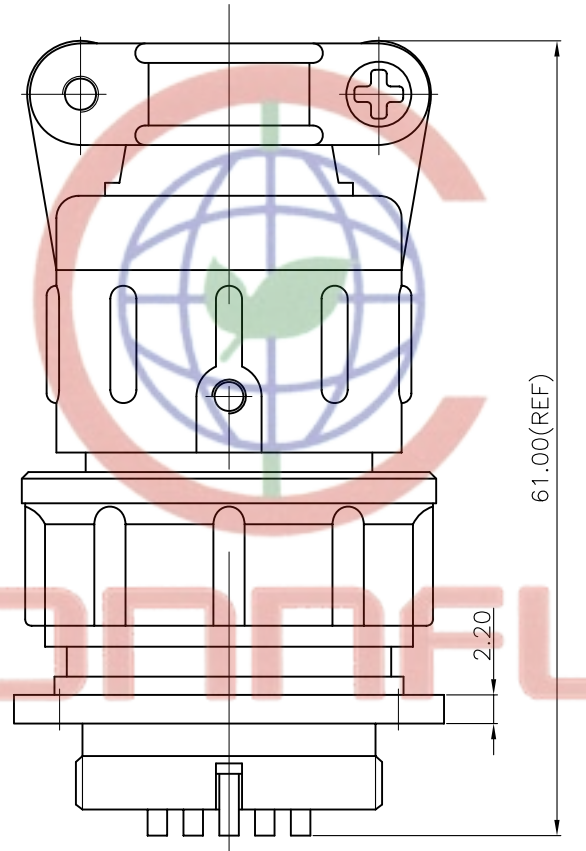
1.SPECIFICATION

- .CURRENT RATING: 5A Max.
- .DIELECTRIC WITH STANDING VOLTAGE: 500V(AC)
- .CONTACT RESISTANCE: 100mΩ Max.
- .INSULATION RESISTANCE: 1000MΩ(DC)Min.


2.PRODUCT NUMBER CODE:

DS1110-07 - X X X X

- X SHELL SURFACE FINISHED
- P:SPRAY THE PAINT (GRAY)
- CONTACT PLATING
- Y: SILVER
- COLOR OF HOUSING:
- L: BLUE
- No. OF CONTACTS
- 12: 12pin
- 19: 19pin
- 26: 26pin



Tel: 86-574-63508787
 Fax: 86-574-63510817

GENERAL TOLERANCE		ANGLE TOLERANCE		PROJECTION	TITLE
X. ±0.60	X. ±5°	X. ±0.38	.X ±3°	mm	MICRO JACK CONNECTOR
.XX ±0.25	.XX ±2°			A4	SERIES DS1110-07 SERIES
DRAWING TYPE	CUSTOMER		Add: West Gaom Road, Cixi Ningbo China		
SCALE	1:1	SHEET	1 OF 1		
DRAWING NO.	C-DS1110-07-XXX		 晨翔电子有限公司 CONNFly CONNFly ELECTRONIC CO. LTD		