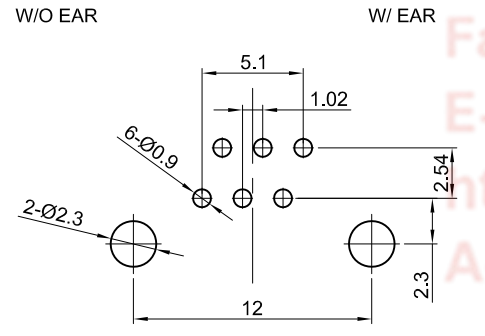
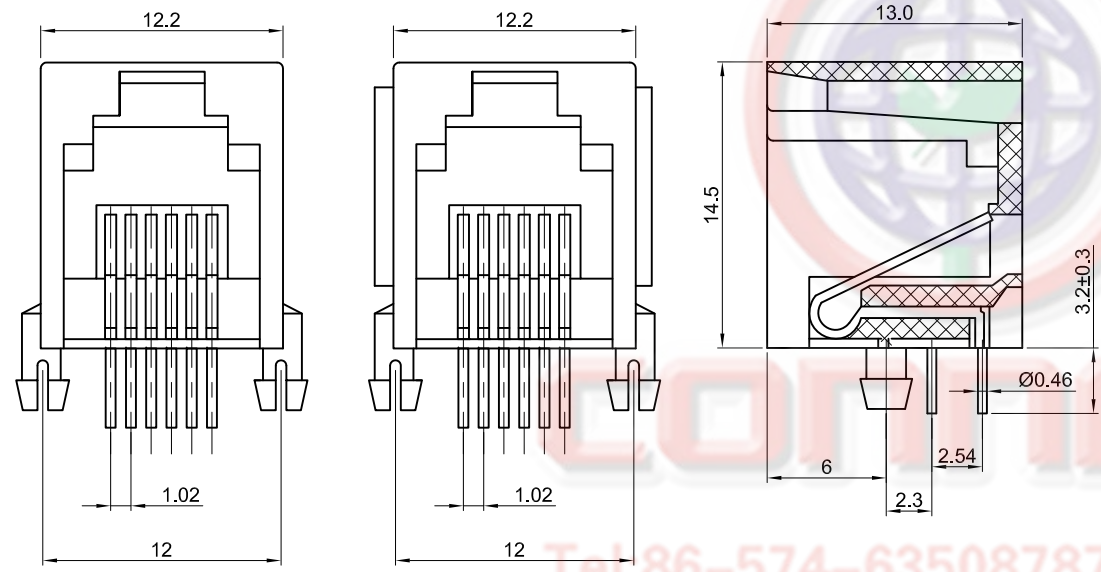


The information provided herein is from CONNELY Electronic Co., Ltd. and is confidential. Any disclosure to a party other than the recipient is prohibited. The intellectual properties and its rights contained herein, including but not limited to, trademarks, patents, copyrights, trade secrets, and technical know-how, are owned exclusively by CONNELY or its affiliates. Unauthorized use of any part of this drawing in any format or manner. CONNELY may enforce its intellectual property rights at its own discretion; failures or delays to exercise such rights does not constitute a waiver of such rights.

1 2 3 4 5 6 7 8

REV.	DESCRIPTION	DRAWN	CHECKED	APPROVED
A	NEW RELEASE	LL 06/26/06'		LJC 06/26/06'
D	DRAWING UPDATE	JLZ 09/16/19'		



- Notes:**
- Electrical Characteristics:**
 - Contact Resistance: 20mΩ Max.
 - Dielectric Withstanding Voltage: 500V AC(rms) For 1 Minute.
 - Insulation Resistance: 1000MΩ Min.
 - Current Rating: 1.5A.
 - Voltage Rating: 125V AC rms.
 - Environment Characteristics:**
 - Temperature: -40°C~+85°C.
 - Materials:**
 - Contact Material: Copper Alloy.
 - Contact Plating: Gold Plating Over Nickel.
 - Insulator Materials: PBT/Nylon, UL94-V0.
 - Product Number Code:**
 DS1133-X X X X X X
 Ear Support
 S:W/ Ear
 X:W/O Ear
 Housing Materials
 P:PBT
 N:Nylon
 Housing Color
 A:Gray
 B:Black
 Contact Plating
 0:Gold Flash
 3:3u" Gold
 6:6u" Gold
 15:15u" Gold
 30:30u" Gold
 No.Of Contacts
 6:6P6C 4:4P4C 2:2P2C
 Connector Type
 S:Socket

GENERAL TOLERANCE		ANGLE TOLERANCE		PROJECTION	TITLE
X.	±0.60	X.	±5°		PCB Jack 6 Positions W/O Shell Standard Type
.X	±0.38	.X	±3°	mm	
.XX	±0.25	.XX	±2°	A4	SERIES DS1133 SERIES
DRAWING TYPE		CUSTOMER		晨翔电子有限公司 CONNFLY CONNELY ELECTRONIC CO. LTD	
SCALE		1:1	SHEET 1 OF 1		
DRAWING NO.		C-DS1133-XXXXXX-D			

1 2 3 4 5 6 7 8