

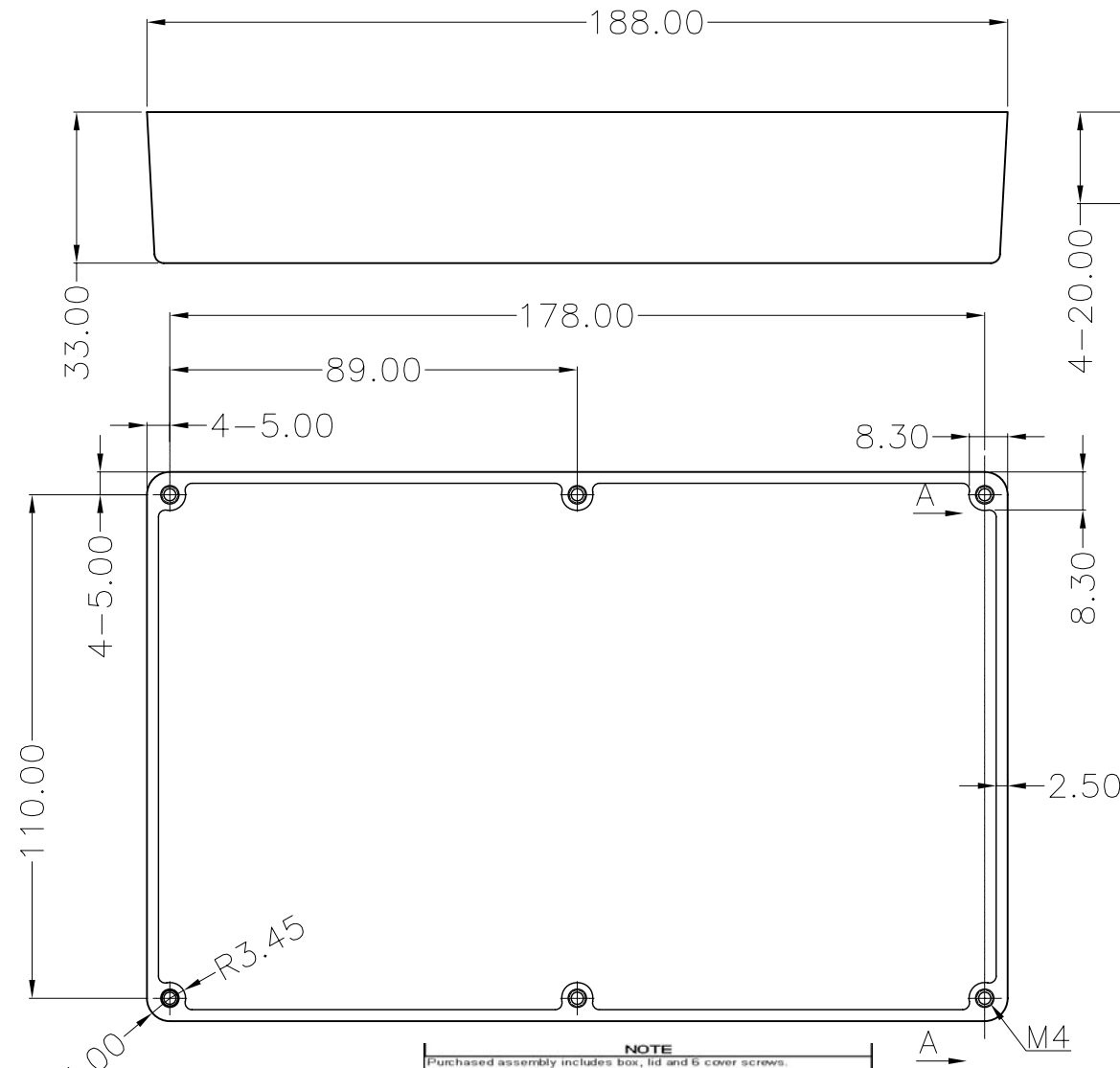
5.90  
1.90

**NOTE**  
Purchased assembly includes box, lid and 6 cover screws.  
Box and lid are made from Diecast Aluminum Alloy.  
Silicone Gasket supplied with liquid resistant enclosure.

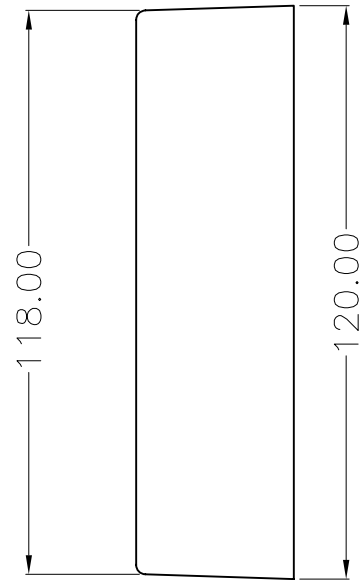
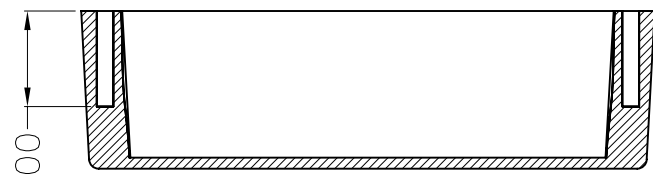
PART NUMBERS	
1590DD Enclosure	1590DD
Natural Finish Enclosure	1590DD
1590DD Liquid Resistant Enclosure (Silicone Gasket)	
Natural Finish Enclosure	1590WDD
ACCESSORIES	
Recommended Torque: 75 ozf.in / 55 cN.m	
Liquid Resistant Cover Screws	
Stainless Steel Cover Screws (Pkg 100) [6.32 x 1/2" With O-Ring]	1590WMS100
Standard Cover Screws	
Plated Cover Screws (Pkg 100) [6.32 x 1/2"]	1590MS100

Tolerances for size	线性尺寸	≥0~6	±0.05
		>6~20	±0.1
		>20~50	±0.2
		>50~100	±0.4
		>100	±0.8
	Angle size	±2°	
Design			
Audit			
Approval			
time			

Model: 1590G	
Material number:	
Company: MM	Proportio: 1: 1
Edition: A1	perspective:
第 1 页 共 1 页	
乐清市戴尔电子有限公司 YUEQING DATER ELECTRON CO., LTD	



A-A



6-R5.00

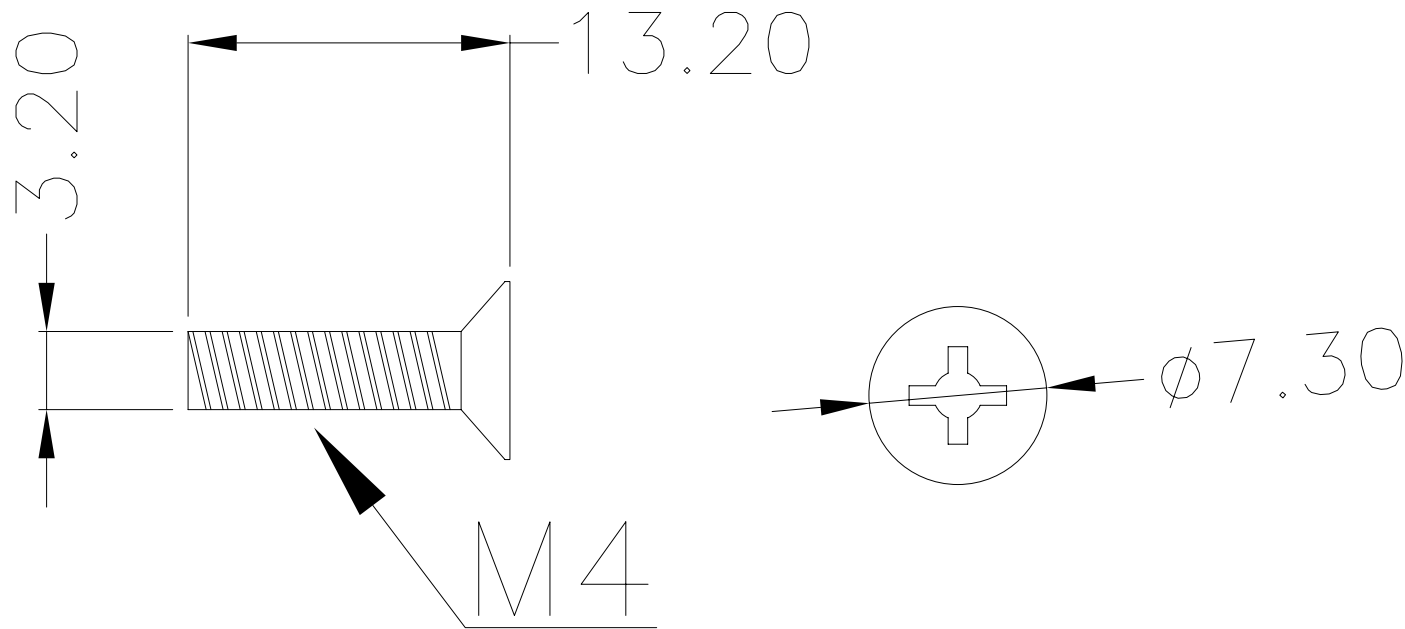
<b>NOTE</b>	
Purchased assembly includes box, lid and 6 cover screws. Box and lid are made from Diecast Aluminum Alloy. Silicone Gasket supplied with liquid resistant enclosure.	
<b>PART NUMBERS</b>	
1590DD Enclosure	1590DD
Natural Finish Enclosure	
1590DD Liquid Resistant Enclosure (Silicone Gasket)	
Natural Finish Enclosure	1590WDD
<b>ACCESSORIES</b>	
Recommended Torque: 75 ozf.in / 55 cN.m	
<b>Liquid Resistant Cover Screws</b>	
Stainless Steel Cover Screws (Pkg 100) [6-32 x 1/2" With O-Ring]	1590VMS100
<b>Standard Cover Screws</b>	
Plated Cover Screws (Pkg 100) [6-32 x 1/2"]	1590MS100

A  
M4

Tolerances for size	线性尺寸	>0~6	±0.05
		>6~20	±0.1
Design		>20~50	±0.2
		>50~100	±0.4
		>100	±0.8
Audit	Angle size		±2°
Approval			
time			

Model: 1590G	
Material number:	
Company: MM	Proportio: 1:1
Edition: A1	perspective:
第 1 页 共 1 页	
乐清市戴尔电子有限公司 YUEQING DATER ELECTRON CO., LTD	

标记 △	日期	姓名	变更内容
---------	----	----	------



Tolerances for size	线性	≥0~6	±0.05	Model: 1590G	
	尺寸	>6~20	±0.1		
		>20~50	±0.2		
		>50~100	±0.4		
		>100	±0.8		
	Angle size		±2°	Material number:	
Design				Company: MM	Proportio: 1: 1
Audit				Edition: A1	perspective:
Approval				第 1 页 共 1 页	
time				乐清市戴尔电子有限公司 YUEQING DATER ELECTRON CO., LTD	