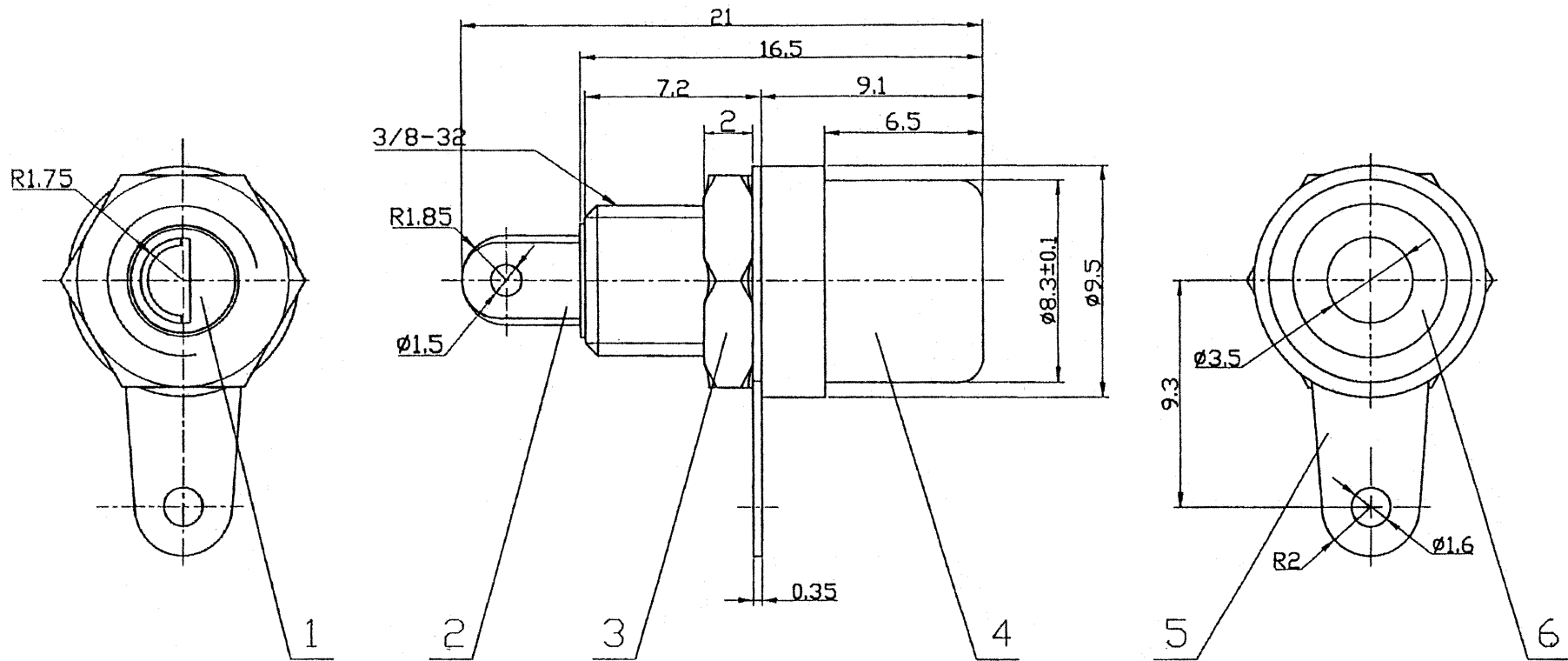


RoHS STANDARD



Technical requirement :

- 1 . This product should meet EU RoHS related requirement.
- 2 . The surface of plastic part should be without any crackle such as burr,lack,and so on phenomenon.
- 3 . The surface of metal part should be without any defect such as scour,nick,oxidation and plating problem.
- 4 . The electronic performance should be the same as spec.
- 5 . The un-specified tolerance is : $0\sim 1.5 \pm 0.1$
 $1.5\sim 20 \pm 0.2$

6	Washer	1	ABS 94HB	----
5	Contact Cushion	1	H62 Brass t=0.35	D.CuSn
4	Base	1	Brass	D.CuSn
3	Nut	1	Brass	D.CuSn
2	Radio Contact	1	H62 Brass t=0.3	D.CuSn
1	Insulated	1	ABS 94HB	----
No.	Name	QTY	Material	Coat Cladding Material

DCI DRAGON CITY INDUSTRIES LIMITED

PART NAME

RCA JACK

TOLERANCE : ±

PART NO.

RS-104(ZB)

UNIT: MM

DESIGN

K.W LAW

REMARK

SCALE

DRAWING

W.K YEUNG

REMARK

MATERIAL

CHECK

K.L WONG

REMARK

DWG. NO.

70907-1706

APPROVAL

K.W CHAN

REMARK

SHEET